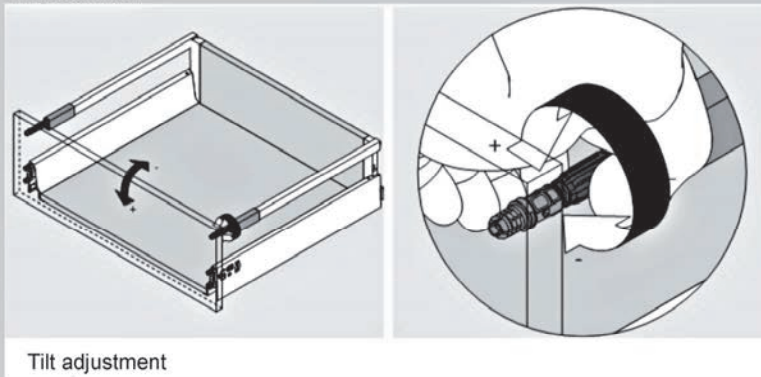


ADJUSTMENT



DRAWER INSERTION AND REMOVAL

