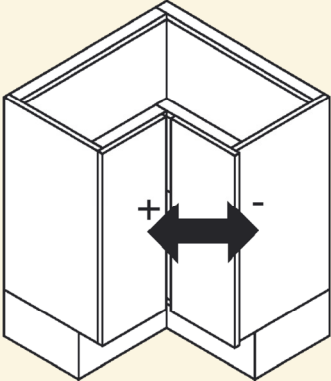
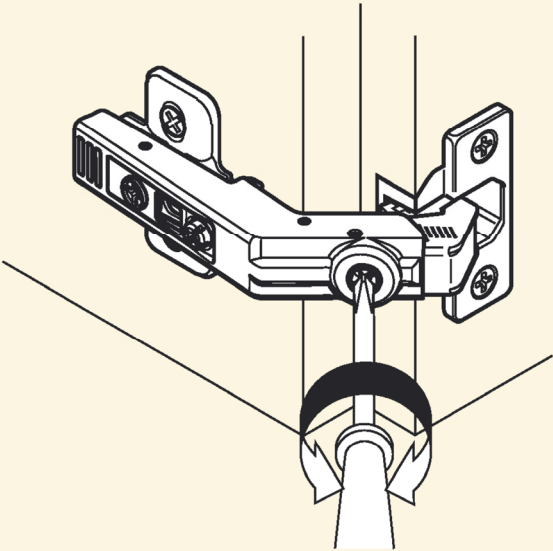
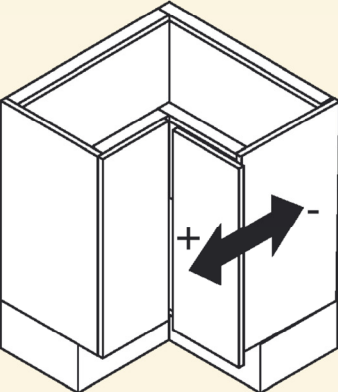
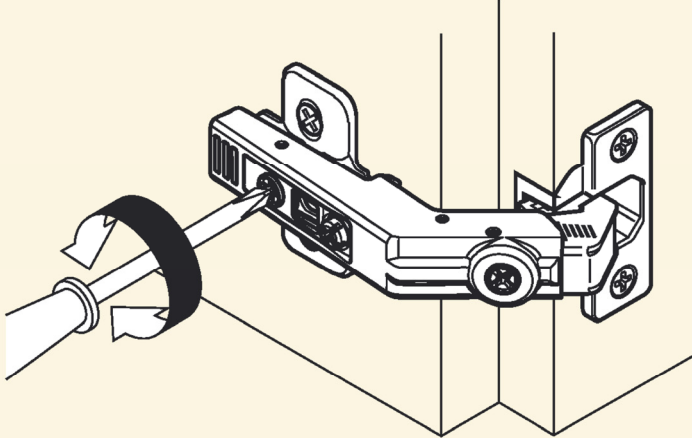


ADJUSTMENT +/- 3mm



GAP ADJUSTMENT +7.2mm to -4.2mm



ADJUSTMENT +/- 2mm

