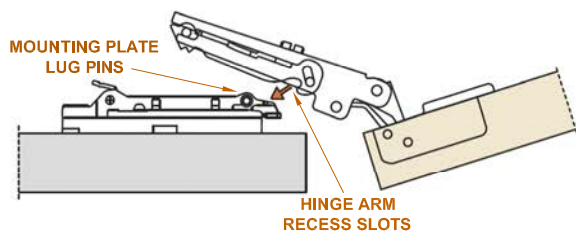


SALICE

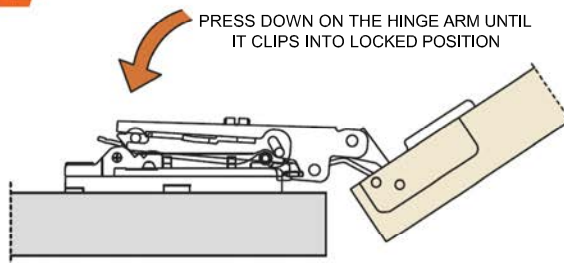
ATTACHING HINGE ARM STEP #1

PLACE THE LUG PINS OF THE MOUNTING PLATE INTO THE RECESS SLOTS OF THE HINGE ARM



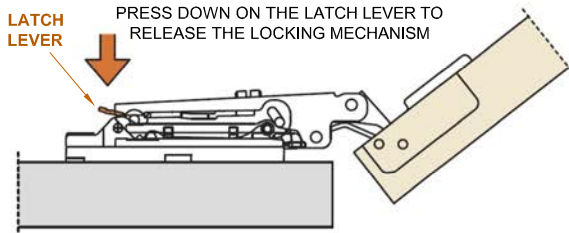
ATTACHING HINGE ARM STEP #2

PRESS DOWN ON THE HINGE ARM UNTIL IT CLIPS INTO LOCKED POSITION



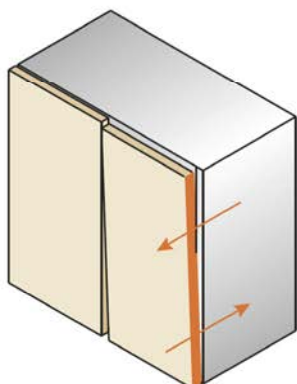
REMOVING HINGE ARM STEP #1

PRESS DOWN ON THE LATCH LEVER TO RELEASE THE LOCKING MECHANISM

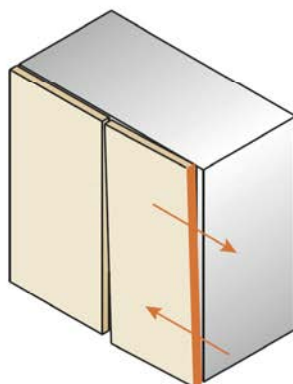


REMOVING HINGE ARM STEP #2

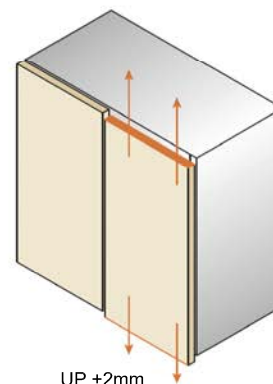
PRESS DOOR FORWARD TO ROTATE AND RELEASE THE HINGE ARM



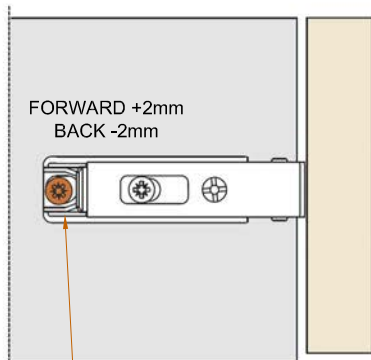
FORWARD +2mm
BACK -2mm



OUTWARDS -1.5mm
INWARDS +4.5mm

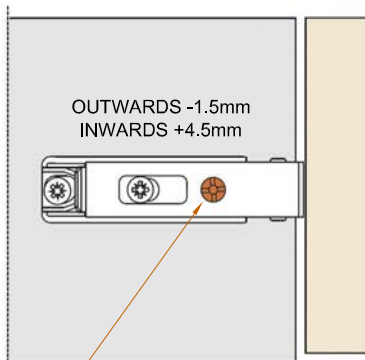


UP +2mm
DOWN -2mm



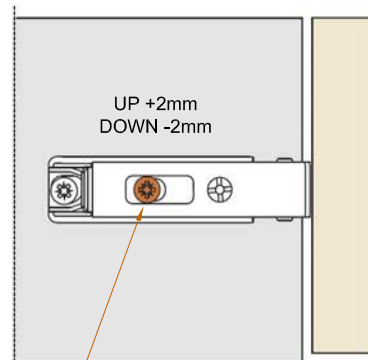
FORWARD +2mm
BACK -2mm

TURN SCREW COUNTER CLOCKWISE FOR DOOR FORWARD
TURN SCREW CLOCKWISE FOR DOOR BACK



OUTWARDS -1.5mm
INWARDS +4.5mm

TURN SCREW COUNTER CLOCKWISE FOR DOOR OUTWARD
TURN SCREW CLOCKWISE FOR DOOR INWARD



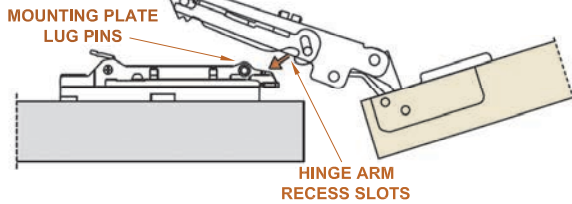
UP +2mm
DOWN -2mm

TURN SCREW COUNTER CLOCKWISE FOR DOOR UP
TURN SCREW CLOCKWISE FOR DOOR DOWN

SALICE

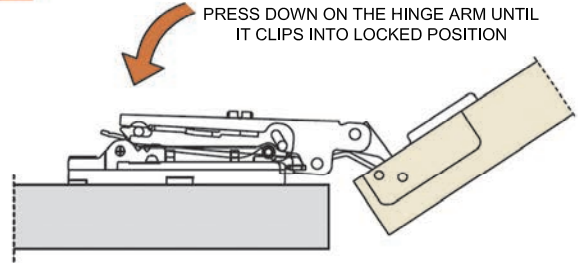
ATTACHING HINGE ARM STEP #1

PLACE THE LUG PINS OF THE MOUNTING PLATE INTO THE RECESS SLOTS OF THE HINGE ARM



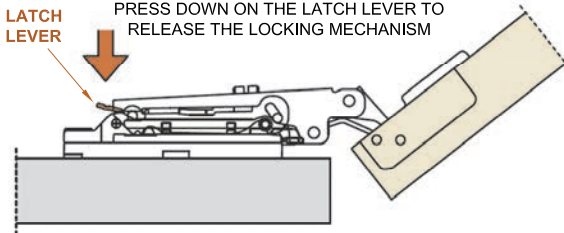
ATTACHING HINGE ARM STEP #2

PRESS DOWN ON THE HINGE ARM UNTIL IT CLIPS INTO LOCKED POSITION



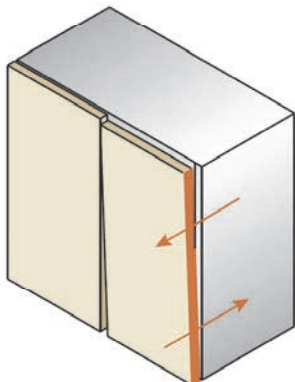
REMOVING HINGE ARM STEP #1

PRESS DOWN ON THE LATCH LEVER TO RELEASE THE LOCKING MECHANISM

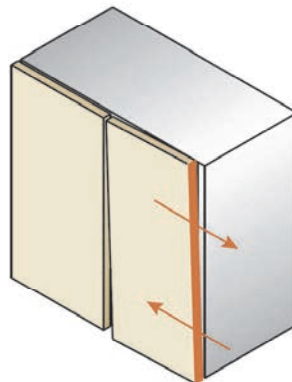


REMOVING HINGE ARM STEP #2

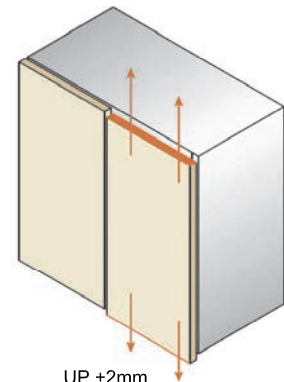
PRESS DOOR FORWARD TO ROTATE AND RELEASE THE HINGE ARM



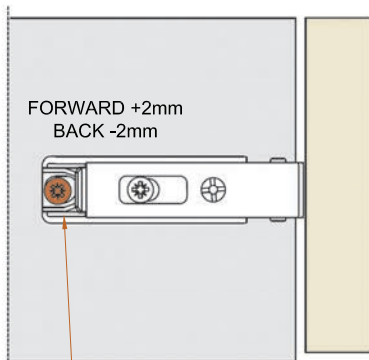
FORWARD +2mm
BACK -2mm



OUTWARDS -1.5mm
INWARDS +4.5mm

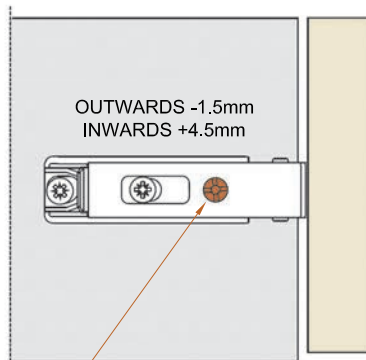


UP +2mm
DOWN -2mm



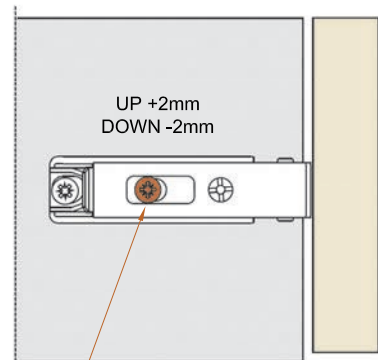
FORWARD +2mm
BACK -2mm

TURN SCREW COUNTER CLOCKWISE FOR DOOR FORWARD
TURN SCREW CLOCKWISE FOR DOOR BACK



OUTWARDS -1.5mm
INWARDS +4.5mm

TURN SCREW COUNTER CLOCKWISE FOR DOOR OUTWARD
TURN SCREW CLOCKWISE FOR DOOR INWARD



UP +2mm
DOWN -2mm

TURN SCREW COUNTER CLOCKWISE FOR DOOR UP
TURN SCREW CLOCKWISE FOR DOOR DOWN