

TABLE OF CONTENTS

15.01.1, 15.01.2, 15.01.3 and 15.01.4	VISUAL TABLE OF CONTENTS
15.02	FINISHED SIDES
15.03	FINISHED TOPS and BOTTOMS
15.04	CABINET END PANELS (finished one side)
15.05	CABINET END PANELS (finished two sides)
15.06	M1 and M2 PROFILED CABINET END PANELS (finished one side)
15.07	M1 and M2 PROFILED CABINET END PANELS (finished two sides)
15.08	DOOR DESIGN END PANELS
15.10	"J" - TYPE END PANELS
15.11	"L" - TYPE END PANEL
15.12	"U" - TYPE PILASTERS
15.14	"U" - TYPE END PANELS
15.16	"C" - TYPE END PANELS
15.18	V-GROOVE END PANELS
15.19	M1 and M2 PROFILED V-GROOVE END PANELS
15.20	RADIUS FRONT EDGED END PANELS
15.21	PENINSULA END PANELS
15.22	M1 and M2 PROFILED PENINSULA END PANELS
15.23	DOOR DESIGN PENINSULA END PANELS
15.24	DOOR DESIGN PENINSULA END PANELS w/ INTEGRATED KICK
15.25	V-GROOVE PENINSULA END PANELS
15.26	M1 and M2 PROFILED V-GROOVE PENINSULA END PANELS
15.27	RADIUS CORNERED PENINSULA END PANELS
15.28	PENINSULA and ISLAND BACK PANELS
15.29	V-GROOVED PENINSULA and ISLAND BACK PANELS
15.30	SCULPTED FRONT for PENINSULA BACK
15.31	MULTIPLE DOOR DESIGN PANEL
15.31	MULTIPLE DOOR DESIGN PANEL w/ INTEGRATED KICK
15.32	RADIUS END CYLINDERS and DESK END SUPPORT PANEL
15.33	"J" - TYPE DOOR DESIGN END PANELS
15.34	"J" - TYPE DOOR DESIGN with INTEGRATED KICK END PANELS
15.35	"U" - TYPE DOOR DESIGN END PANELS
15.36	"U" - TYPE DOOR DESIGN with INTEGRATED KICK END PANELS
15.37	"C" - TYPE DOOR DESIGN PENINSULA END PANELS
15.38	"C" - TYPE DOOR DESIGN with INTEGRATED KICK PENINSULA END PANELS

# 15 PANELS and FINISHED SIDES

VISUAL TABLE OF CONTENTS

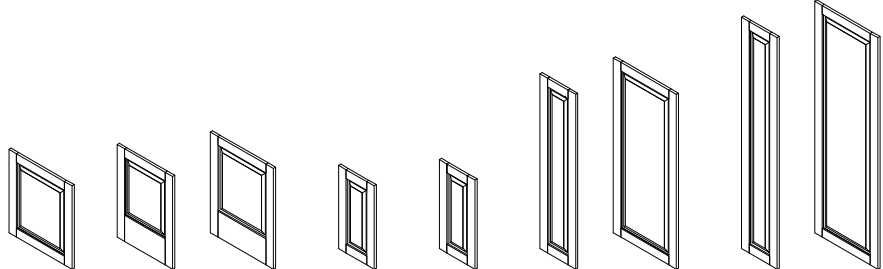
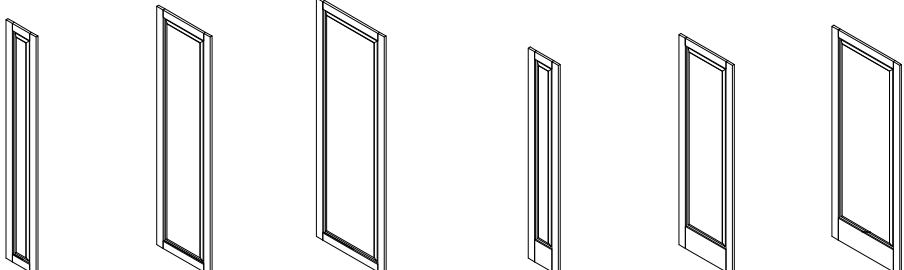
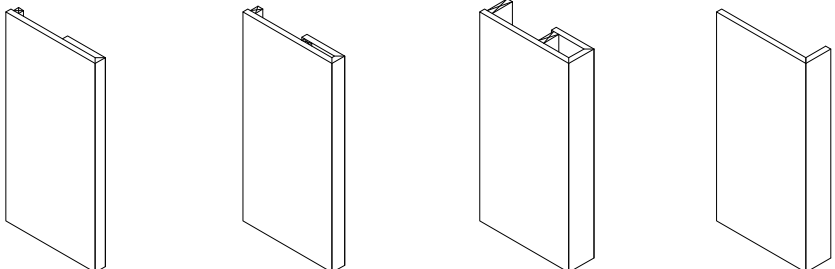
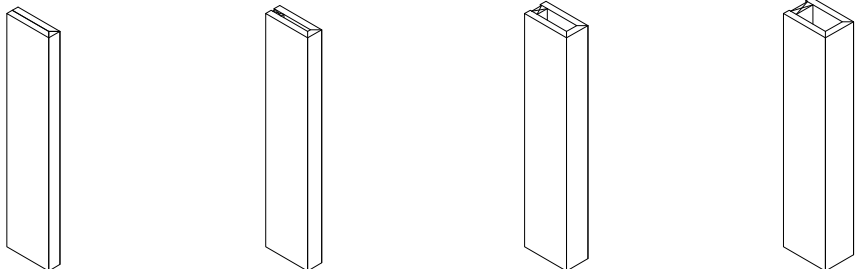
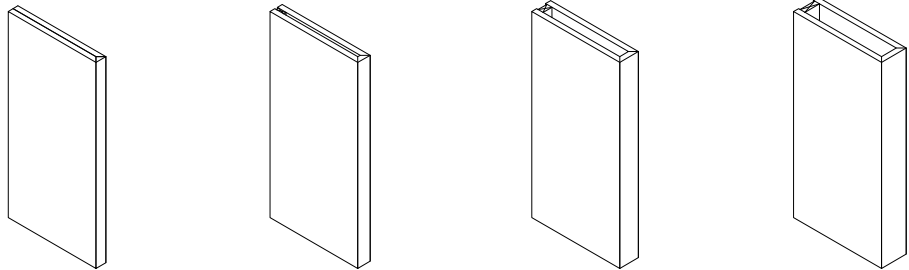
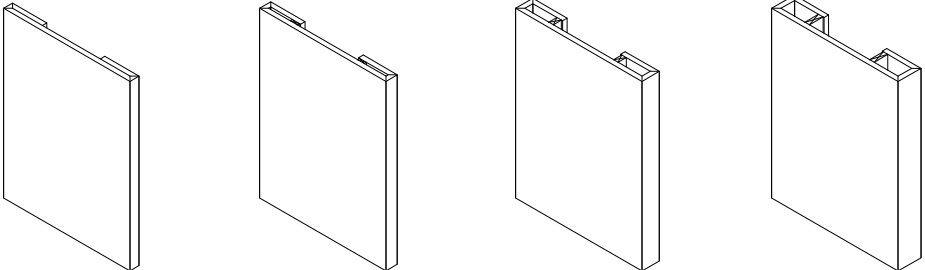


<p>15.02 FINISHED SIDES</p>	
<p>15.03 FINISHED SIDES FINISHED TOPS FINISHED BOTTOMS</p>	
<p>15.04 CABINET END PANELS (finished one side)</p>	<p>(finished one side)</p>
<p>15.05 CABINET END PANELS (finished two sides)</p>	<p>(finished two sides)</p>
<p>15.06 M1 PROFILED END PANELS M2 PROFILED END PANELS (finished one side)</p>	<p>(finished one side)</p>
<p>15.07 M1 PROFILED END PANELS M2 PROFILED END PANELS (finished two sides)</p>	<p>(finished two sides)</p>

# 15 PANELS and FINISHED SIDES

VISUAL TABLE OF CONTENTS



<p>15.08 DOOR DESIGN END PANELS</p>	
<p>15.09 DOOR DESIGN END PANELS (continued)</p>	
<p>15.10 and 15.11 "J" and "L" TYPE END PANELS</p>	
<p>15.12 and 15.13 "U" PILASTERS</p>	
<p>15.14 and 15.15 "U" TYPE END PANELS</p>	
<p>15.16 and 15.17 "C" TYPE PENINSULA END PANELS</p>	

# 15 PANELS and FINISHED SIDES

VISUAL TABLE OF CONTENTS



<p>15.18 V-GROOVE END PANELS</p> <p>15.19 M1 and M2 PROFILED V-GROOVE END PANELS (finished one side)</p>	
<p>15.20 RADIUS FRONT END PANEL</p>	
<p>15.21 PENINSULA END PANELS</p>	
<p>15.22 M1 PROFILED PENINSULA END PANELS &amp; M2 PROFILED PENINSULA END PANELS</p>	
<p>15.23 DOOR DESIGN PENINSULA END PANELS</p> <p>15.24 DOOR DESIGN PENINSULA END PANELS w/ INTEGRATED KICK</p>	
<p>15.25 V-GROOVE PENINSULA END PANELS</p> <p>15.26 M1 and M2 PROFILE V-GROOVED PENINSULA END PANELS</p>	

# 15 PANELS and FINISHED SIDES

VISUAL TABLE OF CONTENTS



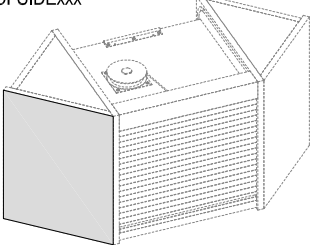
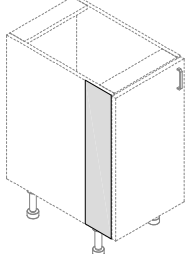
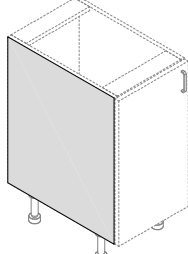
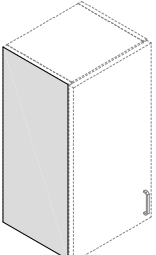
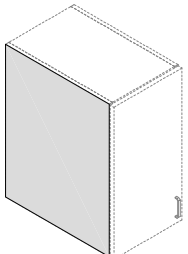
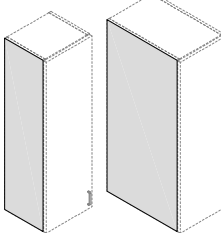
<p>15.27</p> <p>RADIUS CORNERED PENINSULA END PANEL</p>	
<p>15.28</p> <p>PENINSULA BACK PANELS</p>	
<p>15.29</p> <p>V-GROOVED PENINSULA BACK PANELS</p>	
<p>15.30</p> <p>SCULPTED FRONT for PENINSULA BACK</p>	
<p>15.31</p> <p>MULTIPLE DOOR DESIGN PANELS</p>	
<p>15.33, 15.34 15.35, 15.36 15.37, 15.38</p> <p>DOOR DESIGN "J", "U" and "C" PANELS</p>	

# FINISHED SIDES



## ILLUSTRATION

## DESCRIPTION

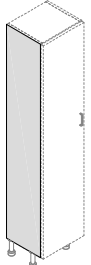

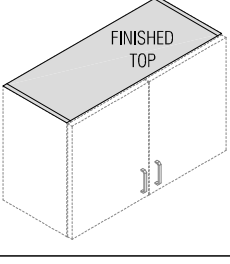
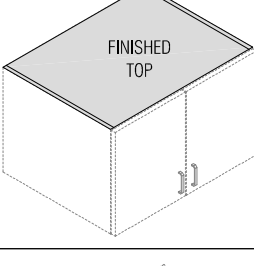
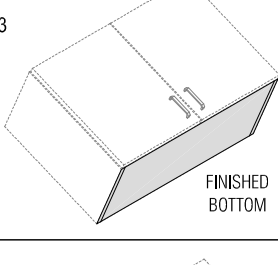
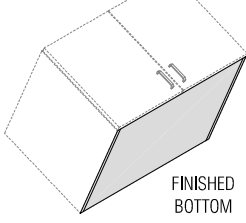
<p>OCFSIDExxx</p> 	<p><u>OCFSIDExxx - OUTSIDE of CARCASE FINISHED SIDE</u></p> <p>TO FINISH any EXTERIOR SIDE, EXTERIOR TOP, or EXTERIOR BOTTOM of a OPEN SHELF, WINE RACK or APPLIANCE GARAGE CABINET WHICH ALREADY has a FINISHED INTERIOR.</p> <p>SPECIFY L, R, T or U. ( LEFT, RIGHT, TOP or UNDERSIDE )</p> <p><b>NOTE:</b>            MAXIMIM 104cm HIGH FOR OCFSIDE104            MAXIMIM 155cm HIGH FOR OCFSIDE155            MAXIMIM 227cm HIGH FOR OCFSIDE227</p>	<table border="1"> <thead> <tr> <th>CODE</th> <th>width (cm)</th> <th>height (cm)</th> <th>thickness (mm)</th> </tr> </thead> <tbody> <tr> <td>OCFSIDE104</td> <td></td> <td>104max</td> <td></td> </tr> <tr> <td>OCFSIDE155</td> <td></td> <td>155max</td> <td></td> </tr> <tr> <td>OCFSIDE227</td> <td></td> <td>227max</td> <td></td> </tr> </tbody> </table>	CODE	width (cm)	height (cm)	thickness (mm)	OCFSIDE104		104max		OCFSIDE155		155max		OCFSIDE227		227max																	
CODE	width (cm)	height (cm)	thickness (mm)																															
OCFSIDE104		104max																																
OCFSIDE155		155max																																
OCFSIDE227		227max																																
<p>BFS1572 TFS15244</p> 	<p><u>BFS1572 and TFS15244 - BASE and TALL FINISHED SIDE</u></p> <p>15cm FINISHED SIDE RETURN</p> <p>SOME COMMON USAGE IS NEXT TO APPLIANCES, FOR CHANNEL TERMINATION AND CABINERY WHICH IS PULLED FORWARD.</p> <p>PLEASE SPECIFY L or R SIDE ON ORDERS</p>	<table border="1"> <thead> <tr> <th>CODE</th> <th>width (cm)</th> <th>height (cm)</th> <th>thickness (mm)</th> </tr> </thead> <tbody> <tr> <td>BFS1572</td> <td>15</td> <td>up to 72</td> <td>&lt;1mm</td> </tr> <tr> <td>TFS15244</td> <td>15</td> <td>72.1 to 244</td> <td>&lt;1mm</td> </tr> </tbody> </table>	CODE	width (cm)	height (cm)	thickness (mm)	BFS1572	15	up to 72	<1mm	TFS15244	15	72.1 to 244	<1mm																				
CODE	width (cm)	height (cm)	thickness (mm)																															
BFS1572	15	up to 72	<1mm																															
TFS15244	15	72.1 to 244	<1mm																															
<p>BFS6072 BWFS3372 SBFS6043.2 VFS5365 VWFS3365 VSFS5343.2 DFS5357.6</p> 	<p><u>BASE, VANITY, DESK and SUSPENDED CABINET FINISHED SIDE</u></p> <p>BASE FINISHED SIDE.....BFS6072            BASE WALL FINISHED SIDE.....BWFS3372            SUPENDED BASE FINISHED SIDE.....SBFS6043.2            VANITY FINISHED SIDE.....VFS5365            VANITY WALL FINISHED SIDE.....VWFS3365            SUSPENDED VANITY FINISHED SIDE.....VSFS5343.2            DESK FINISHED SIDE.....DFS5357.6</p> <p>PLEASE SPECIFY L or R SIDE ON ORDERS</p>	<table border="1"> <thead> <tr> <th>CODE</th> <th>width (cm)</th> <th>height (cm)</th> <th>thickness (mm)</th> </tr> </thead> <tbody> <tr> <td>BFS6072</td> <td>60.5</td> <td>72</td> <td>&lt;1mm</td> </tr> <tr> <td>BWFS3372</td> <td>33</td> <td>72</td> <td>&lt;1mm</td> </tr> <tr> <td>SBFS6043.2</td> <td>60.5</td> <td>43.2</td> <td>&lt;1mm</td> </tr> <tr> <td>VFS5365</td> <td>53</td> <td>65</td> <td>&lt;1mm</td> </tr> <tr> <td>VWFS3365</td> <td>33</td> <td>65</td> <td>&lt;1mm</td> </tr> <tr> <td>VSFS5343.2</td> <td>53</td> <td>43.2</td> <td>&lt;1mm</td> </tr> <tr> <td>DFS5357.6</td> <td>53</td> <td>57.6</td> <td>&lt;1mm</td> </tr> </tbody> </table>	CODE	width (cm)	height (cm)	thickness (mm)	BFS6072	60.5	72	<1mm	BWFS3372	33	72	<1mm	SBFS6043.2	60.5	43.2	<1mm	VFS5365	53	65	<1mm	VWFS3365	33	65	<1mm	VSFS5343.2	53	43.2	<1mm	DFS5357.6	53	57.6	<1mm
CODE	width (cm)	height (cm)	thickness (mm)																															
BFS6072	60.5	72	<1mm																															
BWFS3372	33	72	<1mm																															
SBFS6043.2	60.5	43.2	<1mm																															
VFS5365	53	65	<1mm																															
VWFS3365	33	65	<1mm																															
VSFS5343.2	53	43.2	<1mm																															
DFS5357.6	53	57.6	<1mm																															
<p>WFS3338 WFS3351 WFS3365 WFS3377 WFS3390 WFS33104</p> 	<p><u>WALL FINISHED SIDE for 33cm DEEP CABINETS</u></p> <p>WALL FINISHED SIDE.....WFS3338            WALL FINISHED SIDE.....WFS3351            WALL FINISHED SIDE.....WFS3365            WALL FINISHED SIDE.....WFS3377            WALL FINISHED SIDE.....WFS3390            WALL FINISHED SIDE.....WFS33104</p> <p>PLEASE SPECIFY L or R SIDE ON ORDERS</p>	<table border="1"> <thead> <tr> <th>CODE</th> <th>width (cm)</th> <th>height (cm)</th> <th>thickness (mm)</th> </tr> </thead> <tbody> <tr> <td>WFS3338</td> <td>33</td> <td>38</td> <td>&lt;1mm</td> </tr> <tr> <td>WFS3351</td> <td>33</td> <td>51</td> <td>&lt;1mm</td> </tr> <tr> <td>WFS3365</td> <td>33</td> <td>65</td> <td>&lt;1mm</td> </tr> <tr> <td>WFS3377</td> <td>33</td> <td>77</td> <td>&lt;1mm</td> </tr> <tr> <td>WFS3390</td> <td>33</td> <td>90</td> <td>&lt;1mm</td> </tr> <tr> <td>WFS33104</td> <td>33</td> <td>104</td> <td>&lt;1mm</td> </tr> </tbody> </table>	CODE	width (cm)	height (cm)	thickness (mm)	WFS3338	33	38	<1mm	WFS3351	33	51	<1mm	WFS3365	33	65	<1mm	WFS3377	33	77	<1mm	WFS3390	33	90	<1mm	WFS33104	33	104	<1mm				
CODE	width (cm)	height (cm)	thickness (mm)																															
WFS3338	33	38	<1mm																															
WFS3351	33	51	<1mm																															
WFS3365	33	65	<1mm																															
WFS3377	33	77	<1mm																															
WFS3390	33	90	<1mm																															
WFS33104	33	104	<1mm																															
<p>WFS6038 WFS6051 WFS6065 WFS6077 WFS6090 WFS60104</p> 	<p><u>WALL FINISHED SIDE for 60.5cm DEEP CABINETS</u></p> <p>WALL FINISHED SIDE.....WFS6038            WALL FINISHED SIDE.....WFS6051            WALL FINISHED SIDE.....WFS6065            WALL FINISHED SIDE.....WFS6077            WALL FINISHED SIDE.....WFS6090            WALL FINISHED SIDE.....WFS60104</p> <p>PLEASE SPECIFY L or R SIDE ON ORDERS</p>	<table border="1"> <thead> <tr> <th>CODE</th> <th>width (cm)</th> <th>height (cm)</th> <th>thickness (mm)</th> </tr> </thead> <tbody> <tr> <td>WFS6038</td> <td>60.5</td> <td>38</td> <td>&lt;1mm</td> </tr> <tr> <td>WFS6051</td> <td>60.5</td> <td>51</td> <td>&lt;1mm</td> </tr> <tr> <td>WFS6065</td> <td>60.5</td> <td>65</td> <td>&lt;1mm</td> </tr> <tr> <td>WFS6077</td> <td>60.5</td> <td>77</td> <td>&lt;1mm</td> </tr> <tr> <td>WFS6090</td> <td>60.5</td> <td>90</td> <td>&lt;1mm</td> </tr> <tr> <td>WFS60104</td> <td>60.5</td> <td>104</td> <td>&lt;1mm</td> </tr> </tbody> </table>	CODE	width (cm)	height (cm)	thickness (mm)	WFS6038	60.5	38	<1mm	WFS6051	60.5	51	<1mm	WFS6065	60.5	65	<1mm	WFS6077	60.5	77	<1mm	WFS6090	60.5	90	<1mm	WFS60104	60.5	104	<1mm				
CODE	width (cm)	height (cm)	thickness (mm)																															
WFS6038	60.5	38	<1mm																															
WFS6051	60.5	51	<1mm																															
WFS6065	60.5	65	<1mm																															
WFS6077	60.5	77	<1mm																															
WFS6090	60.5	90	<1mm																															
WFS60104	60.5	104	<1mm																															
<p>WTFS33124 WTFS33137 WTFS33151</p> <p>WTFS60124 WTFS60137 WTFS60151</p> 	<p><u>WALL TALL FINISHED SIDE for 33 and 60.5cm DEEP CABINETS</u></p> <p>WALL TALL FINISHED SIDE.....WTFS33124            WALL TALL FINISHED SIDE.....WTFS33137            WALL TALL FINISHED SIDE.....WTFS33151</p> <p>WALL TALL FINISHED SIDE.....WTFS60124            WALL TALL FINISHED SIDE.....WTFS60137            WALL TALL FINISHED SIDE.....WTFS60151</p> <p>PLEASE SPECIFY L or R SIDE ON ORDERS</p>	<table border="1"> <thead> <tr> <th>CODE</th> <th>width (cm)</th> <th>height (cm)</th> <th>thickness (mm)</th> </tr> </thead> <tbody> <tr> <td>WTFS33124</td> <td>33</td> <td>124</td> <td>&lt;1mm</td> </tr> <tr> <td>WTFS33137</td> <td>33</td> <td>137</td> <td>&lt;1mm</td> </tr> <tr> <td>WTFS33151</td> <td>33</td> <td>up to155</td> <td>&lt;1mm</td> </tr> <tr> <td>WTFS60124</td> <td>60.5</td> <td>124</td> <td>&lt;1mm</td> </tr> <tr> <td>WTFS60137</td> <td>60.5</td> <td>137</td> <td>&lt;1mm</td> </tr> <tr> <td>WTFS60151</td> <td>60.5</td> <td>up to155</td> <td>&lt;1mm</td> </tr> </tbody> </table>	CODE	width (cm)	height (cm)	thickness (mm)	WTFS33124	33	124	<1mm	WTFS33137	33	137	<1mm	WTFS33151	33	up to155	<1mm	WTFS60124	60.5	124	<1mm	WTFS60137	60.5	137	<1mm	WTFS60151	60.5	up to155	<1mm				
CODE	width (cm)	height (cm)	thickness (mm)																															
WTFS33124	33	124	<1mm																															
WTFS33137	33	137	<1mm																															
WTFS33151	33	up to155	<1mm																															
WTFS60124	60.5	124	<1mm																															
WTFS60137	60.5	137	<1mm																															
WTFS60151	60.5	up to155	<1mm																															

# FINISHED SIDES (CONTINUED), FINISHED TOPS and BOTTOMS



## ILLUSTRATION

## DESCRIPTION

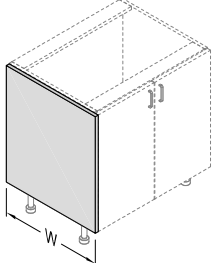
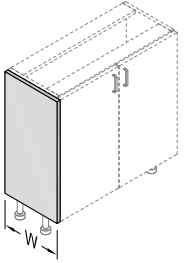
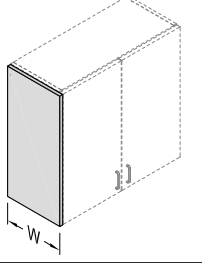
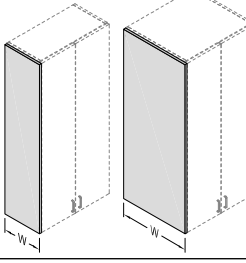
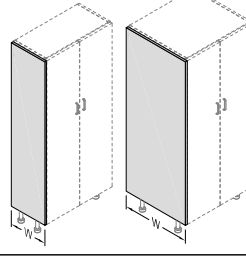
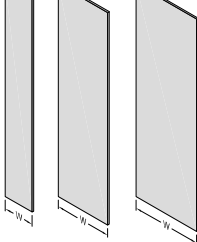
<p>TFS33200 TFS33213 TFS33227</p> 	<p><u>TALL FINISHED SIDE for 33cm DEEP CABINETS</u></p> <p>TALL FINISHED SIDE.....TFS33200 TALL FINISHED SIDE.....TFS33213 TALL FINISHED SIDE.....TFS33227</p> <p>PLEASE SPECIFY L or R SIDE ON ORDERS</p>	<table border="1"> <thead> <tr> <th>CODE</th> <th>width (cm)</th> <th>height (cm)</th> <th>thickness (mm)</th> </tr> </thead> <tbody> <tr> <td>TFS33200</td> <td>33</td> <td>200</td> <td>&lt;1mm</td> </tr> <tr> <td>TFS33213</td> <td>33</td> <td>213</td> <td>&lt;1mm</td> </tr> <tr> <td>TFS33227</td> <td>33</td> <td>227</td> <td>&lt;1mm</td> </tr> </tbody> </table>	CODE	width (cm)	height (cm)	thickness (mm)	TFS33200	33	200	<1mm	TFS33213	33	213	<1mm	TFS33227	33	227	<1mm
CODE	width (cm)	height (cm)	thickness (mm)															
TFS33200	33	200	<1mm															
TFS33213	33	213	<1mm															
TFS33227	33	227	<1mm															
<p>TFS60200 TFS60213 TFS60227</p> 	<p><u>TALL FINISHED SIDE for 60.5cm DEEP CABINETS</u></p> <p>TALL FINISHED SIDE.....TFS60200 TALL FINISHED SIDE.....TFS60213 TALL FINISHED SIDE.....TFS60227</p> <p>PLEASE SPECIFY L or R SIDE ON ORDERS</p>	<table border="1"> <thead> <tr> <th>CODE</th> <th>width (cm)</th> <th>height (cm)</th> <th>thickness (mm)</th> </tr> </thead> <tbody> <tr> <td>TFS60200</td> <td>60.5</td> <td>200</td> <td>&lt;1mm</td> </tr> <tr> <td>TFS60213</td> <td>60.5</td> <td>213</td> <td>&lt;1mm</td> </tr> <tr> <td>TFS60227</td> <td>60.5</td> <td>227</td> <td>&lt;1mm</td> </tr> </tbody> </table>	CODE	width (cm)	height (cm)	thickness (mm)	TFS60200	60.5	200	<1mm	TFS60213	60.5	213	<1mm	TFS60227	60.5	227	<1mm
CODE	width (cm)	height (cm)	thickness (mm)															
TFS60200	60.5	200	<1mm															
TFS60213	60.5	213	<1mm															
TFS60227	60.5	227	<1mm															
<p>FT6033 FT9033 FT12033</p> 	<p><u>FINISHED TOP for 33cm DEEP CABINETS</u></p> <p>FINISHED TOP.....FT6033 FINISHED TOP.....FT9033 FINISHED TOP.....FT12033</p>	<table border="1"> <thead> <tr> <th>CODE</th> <th>width (cm)</th> <th>depth (cm)</th> <th>thickness (mm)</th> </tr> </thead> <tbody> <tr> <td>FT6033</td> <td>60</td> <td>33</td> <td>&lt;1mm</td> </tr> <tr> <td>FT9033</td> <td>90</td> <td>33</td> <td>&lt;1mm</td> </tr> <tr> <td>FT12033</td> <td>120</td> <td>33</td> <td>&lt;1mm</td> </tr> </tbody> </table>	CODE	width (cm)	depth (cm)	thickness (mm)	FT6033	60	33	<1mm	FT9033	90	33	<1mm	FT12033	120	33	<1mm
CODE	width (cm)	depth (cm)	thickness (mm)															
FT6033	60	33	<1mm															
FT9033	90	33	<1mm															
FT12033	120	33	<1mm															
<p>FT6060 FT9060 FT12060</p> 	<p><u>FINISHED TOP for 60.5cm DEEP CABINETS</u></p> <p>FINISHED TOP.....FT6060 FINISHED TOP.....FT9060 FINISHED TOP.....FT12060</p>	<table border="1"> <thead> <tr> <th>CODE</th> <th>width (cm)</th> <th>depth (cm)</th> <th>thickness (mm)</th> </tr> </thead> <tbody> <tr> <td>FT6060</td> <td>60</td> <td>60.5</td> <td>&lt;1mm</td> </tr> <tr> <td>FT9060</td> <td>90</td> <td>60.5</td> <td>&lt;1mm</td> </tr> <tr> <td>FT12060</td> <td>120</td> <td>60.5</td> <td>&lt;1mm</td> </tr> </tbody> </table>	CODE	width (cm)	depth (cm)	thickness (mm)	FT6060	60	60.5	<1mm	FT9060	90	60.5	<1mm	FT12060	120	60.5	<1mm
CODE	width (cm)	depth (cm)	thickness (mm)															
FT6060	60	60.5	<1mm															
FT9060	90	60.5	<1mm															
FT12060	120	60.5	<1mm															
<p>FB6033 FB9033 FB12033</p> 	<p><u>FINISHED BOTTOM for 33cm DEEP CABINETS</u></p> <p>FINISHED BOTTOM.....FB6033 FINISHED BOTTOM.....FB9033 FINISHED BOTTOM.....FB12033</p>	<table border="1"> <thead> <tr> <th>CODE</th> <th>width (cm)</th> <th>depth (cm)</th> <th>thickness (mm)</th> </tr> </thead> <tbody> <tr> <td>FB6033</td> <td>60</td> <td>33</td> <td>&lt;1mm</td> </tr> <tr> <td>FB9033</td> <td>90</td> <td>33</td> <td>&lt;1mm</td> </tr> <tr> <td>FB12033</td> <td>120</td> <td>33</td> <td>&lt;1mm</td> </tr> </tbody> </table>	CODE	width (cm)	depth (cm)	thickness (mm)	FB6033	60	33	<1mm	FB9033	90	33	<1mm	FB12033	120	33	<1mm
CODE	width (cm)	depth (cm)	thickness (mm)															
FB6033	60	33	<1mm															
FB9033	90	33	<1mm															
FB12033	120	33	<1mm															
<p>FB6060 FB9060 FB12060</p> 	<p><u>FINISHED BOTTOM for 60.5cm DEEP CABINETS</u></p> <p>FINISHED BOTTOM.....FB6060 FINISHED BOTTOM.....FB9060 FINISHED BOTTOM.....FB12060</p>	<table border="1"> <thead> <tr> <th>CODE</th> <th>width (cm)</th> <th>depth (cm)</th> <th>thickness (mm)</th> </tr> </thead> <tbody> <tr> <td>FB6060</td> <td>60</td> <td>60.5</td> <td>&lt;1mm</td> </tr> <tr> <td>FB9060</td> <td>90</td> <td>60.5</td> <td>&lt;1mm</td> </tr> <tr> <td>FB12060</td> <td>120</td> <td>60.5</td> <td>&lt;1mm</td> </tr> </tbody> </table>	CODE	width (cm)	depth (cm)	thickness (mm)	FB6060	60	60.5	<1mm	FB9060	90	60.5	<1mm	FB12060	120	60.5	<1mm
CODE	width (cm)	depth (cm)	thickness (mm)															
FB6060	60	60.5	<1mm															
FB9060	90	60.5	<1mm															
FB12060	120	60.5	<1mm															

# CABINET END PANELS (FINISHED ONE SIDE)



## ILLUSTRATION

## DESCRIPTION

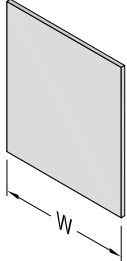
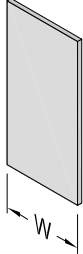
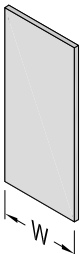
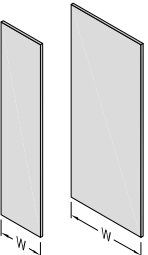
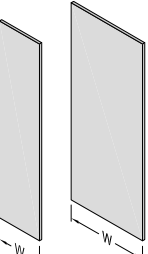
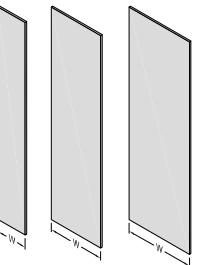
<p>BP6372 BP6387 SBP6343.2 VP5565 VP5580 SVP5543.2 DP5557.6</p> 	<p><b>BASE, VANITY, DESK and SUSPENDED CABINET END PANELS</b> FINISHED ONE SIDE, 15cm RETURN and EXPOSED EDGES SQUARE EDGED ONLY. PLEASE SPECIFY L or R ON ORDERS</p> <p>BASE PANEL.....BP6372 BASE PANEL to FLOOR.....BP6387 SUSPENDED BASE PANEL..... SBP6343.2 VANITY PANEL.....VP5565 VANITY PANEL to FLOOR.....VP5580 SUSPENDED VANITY PANEL.....SVP5543.2 DESK PANEL.....DP5557.6</p> <p>W=PT+0.3+CD ; where CD=Carcase Depth and PT=PROFILE THICKNESS of adjacent Door Style</p>	<table border="1"> <thead> <tr> <th>CODE</th> <th>W (width) (cm)</th> <th>height (cm)</th> <th>thickness (cm)</th> </tr> </thead> <tbody> <tr> <td>BP6372</td> <td>+/-63</td> <td>72</td> <td>1.9 to 2</td> </tr> <tr> <td>BP6387</td> <td>+/-63</td> <td>87</td> <td>1.9 to 2</td> </tr> <tr> <td>SBP6343.2</td> <td>+/-63</td> <td>43.2</td> <td>1.9 to 2</td> </tr> <tr> <td>VP5565</td> <td>+/-55.5</td> <td>65</td> <td>1.9 to 2</td> </tr> <tr> <td>VP5580</td> <td>+/-55.5</td> <td>80</td> <td>1.9 to 2</td> </tr> <tr> <td>SVP5543.2</td> <td>+/-55.5</td> <td>43.2</td> <td>1.9 to 2</td> </tr> <tr> <td>DP5557.6</td> <td>+/-55.5</td> <td>57.6</td> <td>1.9 to 2</td> </tr> </tbody> </table>	CODE	W (width) (cm)	height (cm)	thickness (cm)	BP6372	+/-63	72	1.9 to 2	BP6387	+/-63	87	1.9 to 2	SBP6343.2	+/-63	43.2	1.9 to 2	VP5565	+/-55.5	65	1.9 to 2	VP5580	+/-55.5	80	1.9 to 2	SVP5543.2	+/-55.5	43.2	1.9 to 2	DP5557.6	+/-55.5	57.6	1.9 to 2
CODE	W (width) (cm)	height (cm)	thickness (cm)																															
BP6372	+/-63	72	1.9 to 2																															
BP6387	+/-63	87	1.9 to 2																															
SBP6343.2	+/-63	43.2	1.9 to 2																															
VP5565	+/-55.5	65	1.9 to 2																															
VP5580	+/-55.5	80	1.9 to 2																															
SVP5543.2	+/-55.5	43.2	1.9 to 2																															
DP5557.6	+/-55.5	57.6	1.9 to 2																															
<p>BWP3572 VWP3565 SBWP3543.2</p> 	<p><b>BWP, VWP, and BWSP CABINET END PANELS</b> FINISHED ONE SIDE, 15cm RETURN and EXPOSED EDGES SQUARE EDGED ONLY. PLEASE SPECIFY L or R ON ORDERS</p> <p>BASE WALL PANEL.....BWP3572 VANITY WALL PANEL.....VWP3565 SUSPENDED BASE WALL PANEL.....SBWP3543.2</p> <p>W=PT+0.3+CD ; where CD=Carcase Depth and PT=PROFILE THICKNESS of adjacent Door Style</p>	<table border="1"> <thead> <tr> <th>CODE</th> <th>W (width) (cm)</th> <th>height (cm)</th> <th>thickness (cm)</th> </tr> </thead> <tbody> <tr> <td>BWP3572</td> <td>+/-35.5</td> <td>72</td> <td>1.9 to 2</td> </tr> <tr> <td>VWP3565</td> <td>+/-35.5</td> <td>65</td> <td>1.9 to 2</td> </tr> <tr> <td>SBWP3543.2</td> <td>+/-35.5</td> <td>43.2</td> <td>1.9 to 2</td> </tr> </tbody> </table>	CODE	W (width) (cm)	height (cm)	thickness (cm)	BWP3572	+/-35.5	72	1.9 to 2	VWP3565	+/-35.5	65	1.9 to 2	SBWP3543.2	+/-35.5	43.2	1.9 to 2																
CODE	W (width) (cm)	height (cm)	thickness (cm)																															
BWP3572	+/-35.5	72	1.9 to 2																															
VWP3565	+/-35.5	65	1.9 to 2																															
SBWP3543.2	+/-35.5	43.2	1.9 to 2																															
<p>WP3538 WP3551 WP3565 WP3577 WP3590 WP35104</p> 	<p><b>WALL CABINET END PANELS</b> FINISHED ONE SIDE, 15cm RETURN and EXPOSED EDGES SQUARE EDGED ONLY. PLEASE SPECIFY L or R ON ORDERS</p> <p>WALL PANEL.....WP3538 WALL PANEL.....WP3551 WALL PANEL.....WP3565 WALL PANEL.....WP3577 WALL PANEL.....WP3590 WALL PANEL.....WP35104</p> <p>W=PT+0.3+CD ; where CD=Carcase Depth and PT=PROFILE THICKNESS of adjacent Door Style</p>	<table border="1"> <thead> <tr> <th>CODE</th> <th>W (width) (cm)</th> <th>height (cm)</th> <th>thickness (cm)</th> </tr> </thead> <tbody> <tr> <td>WP3538</td> <td>+/-35.5</td> <td>38</td> <td>1.9 to 2</td> </tr> <tr> <td>WP3551</td> <td>+/-35.5</td> <td>51</td> <td>1.9 to 2</td> </tr> <tr> <td>WP3565</td> <td>+/-35.5</td> <td>65</td> <td>1.9 to 2</td> </tr> <tr> <td>WP3577</td> <td>+/-35.5</td> <td>77</td> <td>1.9 to 2</td> </tr> <tr> <td>WP3590</td> <td>+/-35.5</td> <td>90</td> <td>1.9 to 2</td> </tr> <tr> <td>WP35104</td> <td>+/-35.5</td> <td>104</td> <td>1.9 to 2</td> </tr> </tbody> </table>	CODE	W (width) (cm)	height (cm)	thickness (cm)	WP3538	+/-35.5	38	1.9 to 2	WP3551	+/-35.5	51	1.9 to 2	WP3565	+/-35.5	65	1.9 to 2	WP3577	+/-35.5	77	1.9 to 2	WP3590	+/-35.5	90	1.9 to 2	WP35104	+/-35.5	104	1.9 to 2				
CODE	W (width) (cm)	height (cm)	thickness (cm)																															
WP3538	+/-35.5	38	1.9 to 2																															
WP3551	+/-35.5	51	1.9 to 2																															
WP3565	+/-35.5	65	1.9 to 2																															
WP3577	+/-35.5	77	1.9 to 2																															
WP3590	+/-35.5	90	1.9 to 2																															
WP35104	+/-35.5	104	1.9 to 2																															
<p>WTP35124 WTP35137 WTP35151</p> <p>WTP63124 WTP63137 WTP63151</p> 	<p><b>WALL TALL CABINET END PANELS</b> FINISHED ONE SIDE, 15cm RETURN and EXPOSED EDGES SQUARE EDGED ONLY. PLEASE SPECIFY L or R ON ORDERS</p> <p>WALL TALL PANEL.....WTP35124 WALL TALL PANEL.....WTP35137 WALL TALL PANEL.....WTP35151</p> <p>WALL TALL PANEL.....WTP63124 WALL TALL PANEL.....WTP63137 WALL TALL PANEL.....WTP63151</p> <p>W=PT+0.3+CD ; where CD=Carcase Depth and PT=PROFILE THICKNESS of adjacent Door Style</p>	<table border="1"> <thead> <tr> <th>CODE</th> <th>W (width) (cm)</th> <th>height (cm)</th> <th>thickness (cm)</th> </tr> </thead> <tbody> <tr> <td>WTP35124</td> <td>+/-35.5</td> <td>124</td> <td>1.9 to 2</td> </tr> <tr> <td>WTP35137</td> <td>+/-35.5</td> <td>137</td> <td>1.9 to 2</td> </tr> <tr> <td>WTP35151</td> <td>+/-35.5</td> <td>up to 155</td> <td>1.9 to 2</td> </tr> <tr> <td>WTP63124</td> <td>+/-63</td> <td>124</td> <td>1.9 to 2</td> </tr> <tr> <td>WTP63137</td> <td>+/-63</td> <td>137</td> <td>1.9 to 2</td> </tr> <tr> <td>WTP63151</td> <td>+/-63</td> <td>up to 155</td> <td>1.9 to 2</td> </tr> </tbody> </table>	CODE	W (width) (cm)	height (cm)	thickness (cm)	WTP35124	+/-35.5	124	1.9 to 2	WTP35137	+/-35.5	137	1.9 to 2	WTP35151	+/-35.5	up to 155	1.9 to 2	WTP63124	+/-63	124	1.9 to 2	WTP63137	+/-63	137	1.9 to 2	WTP63151	+/-63	up to 155	1.9 to 2				
CODE	W (width) (cm)	height (cm)	thickness (cm)																															
WTP35124	+/-35.5	124	1.9 to 2																															
WTP35137	+/-35.5	137	1.9 to 2																															
WTP35151	+/-35.5	up to 155	1.9 to 2																															
WTP63124	+/-63	124	1.9 to 2																															
WTP63137	+/-63	137	1.9 to 2																															
WTP63151	+/-63	up to 155	1.9 to 2																															
<p>TP35200 TP35213 TP35227</p> <p>TP65200 TP65213 TP65227</p> 	<p><b>TALL CABINET END PANELS</b> FINISHED ONE SIDE, 15cm RETURN and EXPOSED EDGES SQUARE EDGED ONLY. PLEASE SPECIFY L or R ON ORDERS</p> <p>TALL PANEL.....TP35200 TALL PANEL.....TP35213 TALL PANEL.....TP35227</p> <p>TALL PANEL.....TP65200 TALL PANEL.....TP65213 TALL PANEL.....TP65227</p> <p>W=PT+0.3+CD ; where CD=Carcase Depth and PT=PROFILE THICKNESS of adjacent Door Style</p>	<table border="1"> <thead> <tr> <th>CODE</th> <th>W (width) (cm)</th> <th>height (cm)</th> <th>thickness (cm)</th> </tr> </thead> <tbody> <tr> <td>TP35200</td> <td>+/-35.5</td> <td>200</td> <td>1.9 to 2</td> </tr> <tr> <td>TP35213</td> <td>+/-35.5</td> <td>213</td> <td>1.9 to 2</td> </tr> <tr> <td>TP35227</td> <td>+/-35.5</td> <td>227</td> <td>1.9 to 2</td> </tr> <tr> <td>TP65200</td> <td>up to 65.5</td> <td>200</td> <td>1.9 to 2</td> </tr> <tr> <td>TP65213</td> <td>up to 65.5</td> <td>213</td> <td>1.9 to 2</td> </tr> <tr> <td>TP65227</td> <td>up to 65.5</td> <td>227</td> <td>1.9 to 2</td> </tr> </tbody> </table>	CODE	W (width) (cm)	height (cm)	thickness (cm)	TP35200	+/-35.5	200	1.9 to 2	TP35213	+/-35.5	213	1.9 to 2	TP35227	+/-35.5	227	1.9 to 2	TP65200	up to 65.5	200	1.9 to 2	TP65213	up to 65.5	213	1.9 to 2	TP65227	up to 65.5	227	1.9 to 2				
CODE	W (width) (cm)	height (cm)	thickness (cm)																															
TP35200	+/-35.5	200	1.9 to 2																															
TP35213	+/-35.5	213	1.9 to 2																															
TP35227	+/-35.5	227	1.9 to 2																															
TP65200	up to 65.5	200	1.9 to 2																															
TP65213	up to 65.5	213	1.9 to 2																															
TP65227	up to 65.5	227	1.9 to 2																															
<p>TP35244 TP65244 TP80244</p> 	<p><b>TALL PANELS</b> FINISHED ONE SIDE, 15cm RETURN and EXPOSED EDGES SQUARE EDGED ONLY. PLEASE SPECIFY L or R ON ORDERS</p> <p>TALL PANEL.....TP35244 TALL PANEL.....TP65244 TALL PANEL.....TP80244</p> <p>W=PT+0.3+CD ; where CD=Carcase Depth and PT=PROFILE THICKNESS of adjacent Door Style</p>	<table border="1"> <thead> <tr> <th>CODE</th> <th>W (width) (cm)</th> <th>height (cm)</th> <th>thickness (cm)</th> </tr> </thead> <tbody> <tr> <td>TP35244</td> <td>+/-35.5</td> <td>244</td> <td>1.9 to 2</td> </tr> <tr> <td>TP65244</td> <td>65.5</td> <td>244</td> <td>1.9 to 2</td> </tr> <tr> <td>TP80244</td> <td>80</td> <td>244</td> <td>1.9 to 2</td> </tr> </tbody> </table>	CODE	W (width) (cm)	height (cm)	thickness (cm)	TP35244	+/-35.5	244	1.9 to 2	TP65244	65.5	244	1.9 to 2	TP80244	80	244	1.9 to 2																
CODE	W (width) (cm)	height (cm)	thickness (cm)																															
TP35244	+/-35.5	244	1.9 to 2																															
TP65244	65.5	244	1.9 to 2																															
TP80244	80	244	1.9 to 2																															

# CABINET END PANELS (FINISHED TWO SIDES)



## ILLUSTRATION

## DESCRIPTION

<p>BP6372-2S BP6387-2S SBP6343.2-2S VP5565-2S VP5580-2S SVP5543.2-2S DP5557.6-2S</p> 	<p><u>B, V, D and SUSPENDED PANELS FINISHED 2 SIDES</u> FINISHED TWO SIDES and EXPOSED EDGES SQUARE EDGED ONLY. PLEASE SPECIFY L or R ON ORDERS BASE PANEL FIN. 2 SIDES.....BP6372-2S BASE PANEL to FLOOR FIN. 2 SIDES.....BP6387-2S SUSPENDED BASE PANEL FIN. 2 SIDES..... SBP6343.2-2S VANITY PANEL FIN. 2 SIDES.....VP5565-2S VANITY PANEL to FLOOR FIN. 2 SIDES.....VP5580-2S SUSPENDED VANITY PANEL FIN. 2 SIDES.....SVP5543.2-2S DESK PANEL FIN. 2 SIDES.....DP5557.6-2S W=PT+0.3+CD ; where CD=Carcase Depth and PT=PROFILE THICKNESS of adjacent Door Style</p>	<table border="1"> <thead> <tr> <th>CODE</th> <th>W (width) (cm)</th> <th>height (cm)</th> <th>thickness (cm)</th> </tr> </thead> <tbody> <tr><td>BP6372-2S</td><td>+/-63</td><td>72</td><td>1.9 to 2</td></tr> <tr><td>BP6387-2S</td><td>+/-63</td><td>87</td><td>1.9 to 2</td></tr> <tr><td>SBP6343.2-2S</td><td>+/-63</td><td>43.2</td><td>1.9 to 2</td></tr> <tr><td>VP5565-2S</td><td>+/-55.5</td><td>65</td><td>1.9 to 2</td></tr> <tr><td>VP5580-2S</td><td>+/-55.5</td><td>80</td><td>1.9 to 2</td></tr> <tr><td>SVP5543.2-2S</td><td>+/-55.5</td><td>43.2</td><td>1.9 to 2</td></tr> <tr><td>DP5557.6-2S</td><td>+/-55.5</td><td>57.6</td><td>1.9 to 2</td></tr> </tbody> </table>	CODE	W (width) (cm)	height (cm)	thickness (cm)	BP6372-2S	+/-63	72	1.9 to 2	BP6387-2S	+/-63	87	1.9 to 2	SBP6343.2-2S	+/-63	43.2	1.9 to 2	VP5565-2S	+/-55.5	65	1.9 to 2	VP5580-2S	+/-55.5	80	1.9 to 2	SVP5543.2-2S	+/-55.5	43.2	1.9 to 2	DP5557.6-2S	+/-55.5	57.6	1.9 to 2
CODE	W (width) (cm)	height (cm)	thickness (cm)																															
BP6372-2S	+/-63	72	1.9 to 2																															
BP6387-2S	+/-63	87	1.9 to 2																															
SBP6343.2-2S	+/-63	43.2	1.9 to 2																															
VP5565-2S	+/-55.5	65	1.9 to 2																															
VP5580-2S	+/-55.5	80	1.9 to 2																															
SVP5543.2-2S	+/-55.5	43.2	1.9 to 2																															
DP5557.6-2S	+/-55.5	57.6	1.9 to 2																															
<p>BWP3572-2S VWP3565-2S SBWP3543.2-2S</p> 	<p><u>BWP, VWP, and BWSP PANELS FINISHED 2 SIDES</u> FINISHED TWO SIDES and EXPOSED EDGES SQUARE EDGED ONLY. PLEASE SPECIFY L or R ON ORDERS BASE WALL PANEL FIN. 2 SIDES.....BWP3572-2S VANITY WALL PANEL FIN. 2 SIDES.....VWP3565-2S SUSPENDED BASE WALL PANEL FIN. 2 SIDES.....SBWP3543.2-2S W=PT+0.3+CD ; where CD=Carcase Depth and PT=PROFILE THICKNESS of adjacent Door Style</p>	<table border="1"> <thead> <tr> <th>CODE</th> <th>W (width) (cm)</th> <th>height (cm)</th> <th>thickness (cm)</th> </tr> </thead> <tbody> <tr><td>BWP3572-2S</td><td>+/-35.5</td><td>72</td><td>1.9 to 2</td></tr> <tr><td>VWP3565-2S</td><td>+/-35.5</td><td>65</td><td>1.9 to 2</td></tr> <tr><td>SBWP3543.2-2S</td><td>+/-35.5</td><td>43.2</td><td>1.9 to 2</td></tr> </tbody> </table>	CODE	W (width) (cm)	height (cm)	thickness (cm)	BWP3572-2S	+/-35.5	72	1.9 to 2	VWP3565-2S	+/-35.5	65	1.9 to 2	SBWP3543.2-2S	+/-35.5	43.2	1.9 to 2																
CODE	W (width) (cm)	height (cm)	thickness (cm)																															
BWP3572-2S	+/-35.5	72	1.9 to 2																															
VWP3565-2S	+/-35.5	65	1.9 to 2																															
SBWP3543.2-2S	+/-35.5	43.2	1.9 to 2																															
<p>WP3538-2S WP3551-2S WP3565-2S WP3577-2S WP3590-2S WP35104-2S</p> 	<p><u>WALL PANELS FINISHED 2 SIDES</u> FINISHED TWO SIDES and EXPOSED EDGES SQUARE EDGED ONLY. PLEASE SPECIFY L or R ON ORDERS WALL PANEL FIN. 2 SIDES.....WP3538-2S WALL PANEL FIN. 2 SIDES.....WP3551-2S WALL PANEL FIN. 2 SIDES.....WP3565-2S WALL PANEL FIN. 2 SIDES.....WP3577-2S WALL PANEL FIN. 2 SIDES.....WP3590-2S WALL PANEL FIN. 2 SIDES.....WP35104-2S W=PT+0.3+CD ; where CD=Carcase Depth and PT=PROFILE THICKNESS of adjacent Door Style</p>	<table border="1"> <thead> <tr> <th>CODE</th> <th>W (width) (cm)</th> <th>height (cm)</th> <th>thickness (cm)</th> </tr> </thead> <tbody> <tr><td>WP3538-2S</td><td>+/-35.5</td><td>38</td><td>1.9 to 2</td></tr> <tr><td>WP3551-2S</td><td>+/-35.5</td><td>51</td><td>1.9 to 2</td></tr> <tr><td>WP3565-2S</td><td>+/-35.5</td><td>65</td><td>1.9 to 2</td></tr> <tr><td>WP3577-2S</td><td>+/-35.5</td><td>77</td><td>1.9 to 2</td></tr> <tr><td>WP3590-2S</td><td>+/-35.5</td><td>90</td><td>1.9 to 2</td></tr> <tr><td>WP35104-2S</td><td>+/-35.5</td><td>104</td><td>1.9 to 2</td></tr> </tbody> </table>	CODE	W (width) (cm)	height (cm)	thickness (cm)	WP3538-2S	+/-35.5	38	1.9 to 2	WP3551-2S	+/-35.5	51	1.9 to 2	WP3565-2S	+/-35.5	65	1.9 to 2	WP3577-2S	+/-35.5	77	1.9 to 2	WP3590-2S	+/-35.5	90	1.9 to 2	WP35104-2S	+/-35.5	104	1.9 to 2				
CODE	W (width) (cm)	height (cm)	thickness (cm)																															
WP3538-2S	+/-35.5	38	1.9 to 2																															
WP3551-2S	+/-35.5	51	1.9 to 2																															
WP3565-2S	+/-35.5	65	1.9 to 2																															
WP3577-2S	+/-35.5	77	1.9 to 2																															
WP3590-2S	+/-35.5	90	1.9 to 2																															
WP35104-2S	+/-35.5	104	1.9 to 2																															
<p>WTP35124-2S WTP35137-2S WTP35151-2S  WTP63124-2S WTP63137-2S WTP63151-2S</p> 	<p><u>WALL TALL PANELS FINISHED 2 SIDES</u> FINISHED TWO SIDES and EXPOSED EDGES SQUARE EDGED ONLY. PLEASE SPECIFY L or R ON ORDERS WALL TALL PANEL FIN. 2 SIDES.....WTP35124-2S WALL TALL PANEL FIN. 2 SIDES.....WTP35137-2S WALL TALL PANEL FIN. 2 SIDES.....WTP35151-2S  WALL TALL PANEL FIN. 2 SIDES.....WTP63124-2S WALL TALL PANEL FIN. 2 SIDES.....WTP63137-2S WALL TALL PANEL FIN. 2 SIDES.....WTP63151-2S W=PT+0.3+CD ; where CD=Carcase Depth and PT=PROFILE THICKNESS of adjacent Door Style</p>	<table border="1"> <thead> <tr> <th>CODE</th> <th>W (width) (cm)</th> <th>height (cm)</th> <th>thickness (cm)</th> </tr> </thead> <tbody> <tr><td>WTP35124-2S</td><td>+/-35.5</td><td>124</td><td>1.9 to 2</td></tr> <tr><td>WTP35137-2S</td><td>+/-35.5</td><td>137</td><td>1.9 to 2</td></tr> <tr><td>WTP35151-2S</td><td>+/-35.5</td><td>up to 155</td><td>1.9 to 2</td></tr> <tr><td>WTP63124-2S</td><td>+/-63</td><td>124</td><td>1.9 to 2</td></tr> <tr><td>WTP63137-2S</td><td>+/-63</td><td>137</td><td>1.9 to 2</td></tr> <tr><td>WTP63151-2S</td><td>+/-63</td><td>up to 155</td><td>1.9 to 2</td></tr> </tbody> </table>	CODE	W (width) (cm)	height (cm)	thickness (cm)	WTP35124-2S	+/-35.5	124	1.9 to 2	WTP35137-2S	+/-35.5	137	1.9 to 2	WTP35151-2S	+/-35.5	up to 155	1.9 to 2	WTP63124-2S	+/-63	124	1.9 to 2	WTP63137-2S	+/-63	137	1.9 to 2	WTP63151-2S	+/-63	up to 155	1.9 to 2				
CODE	W (width) (cm)	height (cm)	thickness (cm)																															
WTP35124-2S	+/-35.5	124	1.9 to 2																															
WTP35137-2S	+/-35.5	137	1.9 to 2																															
WTP35151-2S	+/-35.5	up to 155	1.9 to 2																															
WTP63124-2S	+/-63	124	1.9 to 2																															
WTP63137-2S	+/-63	137	1.9 to 2																															
WTP63151-2S	+/-63	up to 155	1.9 to 2																															
<p>TP35200-2S TP35213-2S TP35227-2S  TP65200-2S TP65213-2S TP65227-2S</p> 	<p><u>TALL PANELS FINISHED 2 SIDES</u> FINISHED TWO SIDES and EXPOSED EDGES SQUARE EDGED ONLY. PLEASE SPECIFY L or R ON ORDERS TALL PANEL FIN. 2 SIDES.....TP35200-2S TALL PANEL FIN. 2 SIDES.....TP35213-2S TALL PANEL FIN. 2 SIDES.....TP35227-2S  TALL PANEL FIN. 2 SIDES.....TP65200-2S TALL PANEL FIN. 2 SIDES.....TP65213-2S TALL PANEL FIN. 2 SIDES.....TP65227-2S W=PT+0.3+CD ; where CD=Carcase Depth and PT=PROFILE THICKNESS of adjacent Door Style</p>	<table border="1"> <thead> <tr> <th>CODE</th> <th>W (width) (cm)</th> <th>height (cm)</th> <th>thickness (cm)</th> </tr> </thead> <tbody> <tr><td>TP35200-2S</td><td>+/-35.5</td><td>200</td><td>1.9 to 2</td></tr> <tr><td>TP35213-2S</td><td>+/-35.5</td><td>213</td><td>1.9 to 2</td></tr> <tr><td>TP35227-2S</td><td>+/-35.5</td><td>227</td><td>1.9 to 2</td></tr> <tr><td>TP65200-2S</td><td>up to 65.5</td><td>200</td><td>1.9 to 2</td></tr> <tr><td>TP65213-2S</td><td>up to 65.5</td><td>213</td><td>1.9 to 2</td></tr> <tr><td>TP65227-2S</td><td>up to 65.5</td><td>227</td><td>1.9 to 2</td></tr> </tbody> </table>	CODE	W (width) (cm)	height (cm)	thickness (cm)	TP35200-2S	+/-35.5	200	1.9 to 2	TP35213-2S	+/-35.5	213	1.9 to 2	TP35227-2S	+/-35.5	227	1.9 to 2	TP65200-2S	up to 65.5	200	1.9 to 2	TP65213-2S	up to 65.5	213	1.9 to 2	TP65227-2S	up to 65.5	227	1.9 to 2				
CODE	W (width) (cm)	height (cm)	thickness (cm)																															
TP35200-2S	+/-35.5	200	1.9 to 2																															
TP35213-2S	+/-35.5	213	1.9 to 2																															
TP35227-2S	+/-35.5	227	1.9 to 2																															
TP65200-2S	up to 65.5	200	1.9 to 2																															
TP65213-2S	up to 65.5	213	1.9 to 2																															
TP65227-2S	up to 65.5	227	1.9 to 2																															
<p>TP35244-2S TP65244-2S TP80244-2S</p> 	<p><u>TALL PANELS 244cm HIGH FINISHED 2 SIDES</u> FINISHED TWO SIDES and EXPOSED EDGES SQUARE EDGED ONLY. PLEASE SPECIFY L or R ON ORDERS TALL PANEL FIN. 2 SIDES.....TP35244-2S TALL PANEL FIN. 2 SIDES.....TP65244-2S TALL PANEL FIN. 2 SIDES.....TP80244-2S W=PT+0.3+CD ; where CD=Carcase Depth and PT=PROFILE THICKNESS of adjacent Door Style</p>	<table border="1"> <thead> <tr> <th>CODE</th> <th>W (width) (cm)</th> <th>height (cm)</th> <th>thickness (cm)</th> </tr> </thead> <tbody> <tr><td>TP35244-2S</td><td>+/-35.5</td><td>244</td><td>1.9 to 2</td></tr> <tr><td>TP65244-2S</td><td>65.5</td><td>244</td><td>1.9 to 2</td></tr> <tr><td>TP80244-2S</td><td>80</td><td>244</td><td>1.9 to 2</td></tr> </tbody> </table>	CODE	W (width) (cm)	height (cm)	thickness (cm)	TP35244-2S	+/-35.5	244	1.9 to 2	TP65244-2S	65.5	244	1.9 to 2	TP80244-2S	80	244	1.9 to 2																
CODE	W (width) (cm)	height (cm)	thickness (cm)																															
TP35244-2S	+/-35.5	244	1.9 to 2																															
TP65244-2S	65.5	244	1.9 to 2																															
TP80244-2S	80	244	1.9 to 2																															

"M1" PROFILED END PANELS (FINISHED ONE SIDE)

"M2" PROFILED END PANELS (FINISHED ONE SIDE)



ILLUSTRATION	DESCRIPTION	PANEL TYPE	CODE	W (width) (cm)	height (cm)	thickness (cm)
<p>"M1" PROFILED FINISHED ONE SIDE</p> <p>( LEFT SHOWN )</p>	<p><u>"M1" FRONT EDGE PROFILED CABINET END PANELS</u></p> <p>M1 PROFILED MOULDING APPLIED TO FRONT EDGE</p> <p>ALL OTHER EDGES ARE SQUARE</p> <p>FINISHED ONE SIDE, 15cm RETURN and EXPOSED EDGES</p> <p>PLEASE SPECIFY L or R ON ORDERS</p> <p>W=PT+0.3+CD ; where CD=Carcase Depth and PT=PROFILE THICKNESS of adjacent Door Style</p> <p>(NOTE: Specified Width does not include the Applied M1 Moulding on the Front Edge.)</p>	BASE	BP6372-M1	+/-63	72	2
		BASE to FLOOR	BP6387-M1	+/-63	87	2
		SUSPENDED BASE	SBP6343.2-M1	+/-63	43.2	2
		VANITY	VP5565-M1	+/-55.5	65	2
		VANITY to FLOOR	VP5580-M1	+/-55.5	80	2
		SUSPENDED VANITY	SVP5543.2-M1	+/-55.5	43.2	2
		DESK	DP5557.6-M1	+/-55.5	57.6	2
		BASE WALL	BWP3572-M1	+/-35.5	72	2
		VANITY WALL	VWP3565-M1	+/-35.5	65	2
		WALL	WP3538-M1	+/-35.5	38	2
		"	WP3551-M1	+/-35.5	51	2
		"	WP3565-M1	+/-35.5	65	2
		"	WP3577-M1	+/-35.5	77	2
		"	WP3590-M1	+/-35.5	90	2
		"	WP35104-M1	+/-35.5	104	2
		WALL TALL 35 WIDE	WTP35124-M1	+/-35.5	124	2
		" "	WTP35137-M1	+/-35.5	137	2
		" "	WTP35151-M1	+/-35.5	up to155	2
		WALL TALL 63 WIDE	WTP63124-M1	+/-63	124	2
		" "	WTP63137-M1	+/-63	137	2
		" "	WTP63151-M1	+/-63	up to155	2
		TALL 35 WIDE	TP35200-M1	+/-35.5	200	2
		"	TP35213-M1	+/-35.5	213	2
		"	TP35227-M1	+/-35.5	227	2
TALL 65 WIDE	TP65200-M1	65.5	200	2		
"	TP65213-M1	65.5	213	2		
"	TP65227-M1	65.5	227	2		
TALL 244 HIGH	TP35244-M1	+/-35.5	244	2		
"	TP65244-M1	65.5	244	2		
"	TP80244-M1	80	244	2		
<p>"M2" PROFILED FINISHED ONE SIDE</p> <p>( LEFT SHOWN )</p>	<p><u>"M2" FRONT EDGE PROFILED CABINET END PANELS</u></p> <p>M2 PROFILED MOULDING APPLIED TO FRONT EDGE</p> <p>ALL OTHER EDGES ARE SQUARE</p> <p>FINISHED ONE SIDE, 15cm RETURN and EXPOSED EDGES</p> <p>PLEASE SPECIFY L or R ON ORDERS</p> <p>W=PT+0.3+CD ; where CD=Carcase Depth and PT=PROFILE THICKNESS of adjacent Door Style</p> <p>(NOTE: Specified Width does not include the Applied M2 Moulding on the Front Edge.)</p>	BASE	BP6372-M2	+/-63	72	2
		BASE to FLOOR	BP6387-M2	+/-63	87	2
		SUSPENDED BASE	SBP6343.2-M2	+/-63	43.2	2
		VANITY	VP5565-M2	+/-55.5	65	2
		VANITY to FLOOR	VP5580-M2	+/-55.5	80	2
		SUSPENDED VANITY	SVP5543.2-M2	+/-55.5	43.2	2
		DESK	DP5557.6-M2	+/-55.5	57.6	2
		BASE WALL	BWP3572-M2	+/-35.5	72	2
		VANITY WALL	VWP3565-M2	+/-35.5	65	2
		WALL	WP3538-M2	+/-35.5	38	2
		"	WP3551-M2	+/-35.5	51	2
		"	WP3565-M2	+/-35.5	65	2
		"	WP3577-M2	+/-35.5	77	2
		"	WP3590-M2	+/-35.5	90	2
		"	WP35104-M2	+/-35.5	104	2
		WALL TALL 35 WIDE	WTP35124-M2	+/-35.5	124	2
		" "	WTP35137-M2	+/-35.5	137	2
		" "	WTP35151-M2	+/-35.5	up to155	2
		WALL TALL 63 WIDE	WTP63124-M2	+/-63	124	2
		" "	WTP63137-M2	+/-63	137	2
		" "	WTP63151-M2	+/-63	up to155	2
		TALL 35 WIDE	TP35200-M2	+/-35.5	200	2
		"	TP35213-M2	+/-35.5	213	2
		"	TP35227-M2	+/-35.5	227	2
TALL 65 WIDE	TP65200-M2	65.5	200	2		
"	TP65213-M2	65.5	213	2		
"	TP65227-M2	65.5	227	2		
TALL 244 HIGH	TP35244-M2	+/-35.5	244	2		
"	TP65244-M2	65.5	244	2		
"	TP80244-M2	80	244	2		

"M1" PROFILED END PANELS (FINISHED TWO SIDES)

"M2" PROFILED END PANELS (FINISHED TWO SIDES)



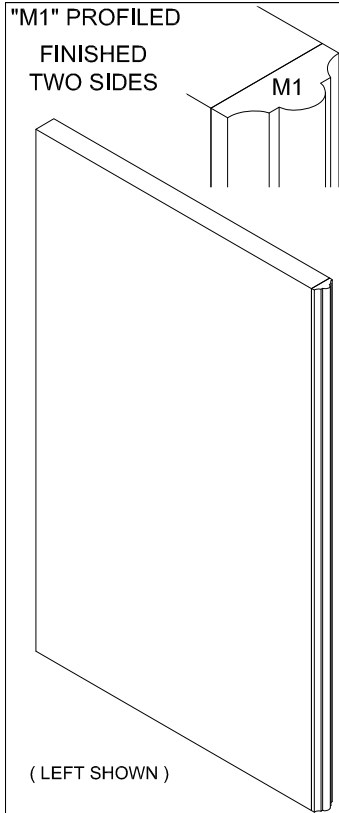
ILLUSTRATION

DESCRIPTION

PANEL TYPE

CODE

W (width) height thickness  
(cm) (cm) (cm)



"M1" FRONT EDGE PROFILED  
CABINET END PANELS

M1 PROFILED MOULDING APPLIED  
TO FRONT EDGE

ALL OTHER EDGES ARE SQUARE

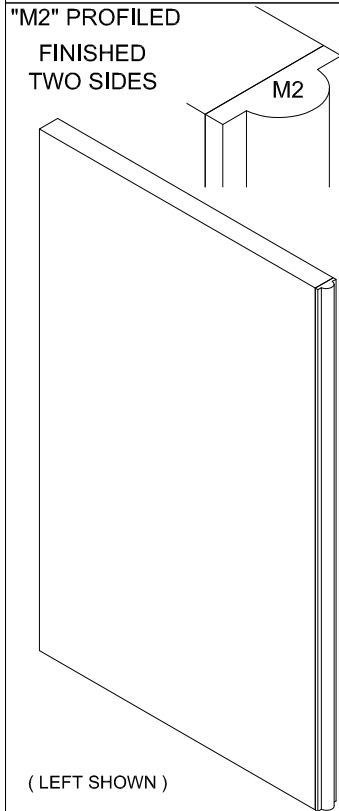
FINISHED TWO SIDES and  
EXPOSED EDGES

PLEASE SPECIFY L or R ON  
ORDERS

$W=PT+0.3+CD$  ; where  
CD=Carcase Depth and  
PT=PROFILE THICKNESS of  
adjacent Door Style

(NOTE: Specified Width does not  
include the Applied M1 Moulding on  
the Front Edge.)

BASE	BP6372-M1-2S	+/-63	72	2
BASE to FLOOR	BP6387-M1-2S	+/-63	87	2
SUSPENDED BASE	SBP6343.2-M1-2S	+/-63	43.2	2
VANITY	VP5565-M1-2S	+/-55.5	65	2
VANITY to FLOOR	VP5580-M1-2S	+/-55.5	80	2
SUSPENDED VANITY	SVP5543.2-M1-2S	+/-55.5	43.2	2
DESK	DP5557.6-M1-2S	+/-55.5	57.6	2
BASE WALL	BWP3572-M1-2S	+/-35.5	72	2
VANITY WALL	VWP3565-M1-2S	+/-35.5	65	2
WALL	WP3538-M1-2S	+/-35.5	38	2
"	WP3551-M1-2S	+/-35.5	51	2
"	WP3565-M1-2S	+/-35.5	65	2
"	WP3577-M1-2S	+/-35.5	77	2
"	WP3590-M1-2S	+/-35.5	90	2
"	WP35104-M1-2S	+/-35.5	104	2
WALL TALL 35 WIDE	WTP35124-M1-2S	+/-35.5	124	2
"	WTP35137-M1-2S	+/-35.5	137	2
"	WTP35151-M1-2S	+/-35.5	up to155	2
WALL TALL 63 WIDE	WTP63124-M1-2S	+/-63	124	2
"	WTP63137-M1-2S	+/-63	137	2
"	WTP63151-M1-2S	+/-63	up to155	2
TALL 35 WIDE	TP35200-M1-2S	+/-35.5	200	2
"	TP35213-M1-2S	+/-35.5	213	2
"	TP35227-M1-2S	+/-35.5	227	2
TALL 65 WIDE	TP65200-M1-2S	65.5	200	2
"	TP65213-M1-2S	65.5	213	2
"	TP65227-M1-2S	65.5	227	2
TALL 244 HIGH	TP35244-M1-2S	+/-35.5	244	2
"	TP65244-M1-2S	65.5	244	2
"	TP80244-M1-2S	80	244	2



"M2" FRONT EDGE PROFILED  
CABINET END PANELS

M2 PROFILED MOULDING APPLIED  
TO FRONT EDGE

ALL OTHER EDGES ARE SQUARE

FINISHED TWO SIDES and  
EXPOSED EDGES

PLEASE SPECIFY L or R ON  
ORDERS

$W=PT+0.3+CD$  ; where  
CD=Carcase Depth and  
PT=PROFILE THICKNESS of  
adjacent Door Style

(NOTE: Specified Width does not  
include the Applied M2 Moulding on  
the Front Edge.)

BASE	BP6372-M2-2S	+/-63	72	2
BASE to FLOOR	BP6387-M2-2S	+/-63	87	2
SUSPENDED BASE	SBP6343.2-M2-2S	+/-63	43.2	2
VANITY	VP5565-M2-2S	+/-55.5	65	2
VANITY to FLOOR	VP5580-M2-2S	+/-55.5	80	2
SUSPENDED VANITY	SVP5543.2-M2-2S	+/-55.5	43.2	2
DESK	DP5557.6-M2-2S	+/-55.5	57.6	2
BASE WALL	BWP3572-M2-2S	+/-35.5	72	2
VANITY WALL	VWP3565-M2-2S	+/-35.5	65	2
WALL	WP3538-M2-2S	+/-35.5	38	2
"	WP3551-M2-2S	+/-35.5	51	2
"	WP3565-M2-2S	+/-35.5	65	2
"	WP3577-M2-2S	+/-35.5	77	2
"	WP3590-M2-2S	+/-35.5	90	2
"	WP35104-M2-2S	+/-35.5	104	2
WALL TALL 35 WIDE	WTP35124-M2-2S	+/-35.5	124	2
"	WTP35137-M2-2S	+/-35.5	137	2
"	WTP35151-M2-2S	+/-35.5	up to155	2
WALL TALL 63 WIDE	WTP63124-M2-2S	+/-63	124	2
"	WTP63137-M2-2S	+/-63	137	2
"	WTP63151-M2-2S	+/-63	up to155	2
TALL 35 WIDE	TP35200-M2-2S	+/-35.5	200	2
"	TP35213-M2-2S	+/-35.5	213	2
"	TP35227-M2-2S	+/-35.5	227	2
TALL 65 WIDE	TP65200-M2-2S	65.5	200	2
"	TP65213-M2-2S	65.5	213	2
"	TP65227-M2-2S	65.5	227	2
TALL 244 HIGH	TP35244-M2-2S	+/-35.5	244	2
"	TP65244-M2-2S	65.5	244	2
"	TP80244-M2-2S	80	244	2

# DOOR DESIGN END PANELS (FINISHED ONE SIDE)

PART - 1



## ILLUSTRATION

## DESCRIPTION

BDP6372 SBDP6343 VDP5565 SVDP5543 DDP5558		<p><u>BASE, VANITY, DESK and SUSPENDED CABINET DOOR DESIGN END PANELS</u></p> <p>FINISHED ONE SIDE, 15cm RETURN and EXPOSED EDGES. UNLESS SPECIFIED ALL EXTERIOR EDGES ARE PROFILED. ONLY NON-MITERED 5-PIECE DOOR DESIGN END PANELS CAN BE SPECIFIED WITHOUT PROFILED EDGES.</p> <p><b>NOTE: MITERED DOOR STYLES ARE ONLY AVAILABLE WITH PROFILED EDGES.</b></p> <p>PLEASE SPECIFY L or R ON ORDERS.</p>	<table border="1"> <thead> <tr> <th>CODE</th> <th>W (width) (cm)</th> <th>height (cm)</th> <th>thickness (cm)</th> </tr> </thead> <tbody> <tr> <td>BDP6372</td> <td>+/-63</td> <td>72</td> <td>as door</td> </tr> <tr> <td>SBDP6343</td> <td>+/-63</td> <td>43.2</td> <td>as door</td> </tr> <tr> <td>VDP5565</td> <td>+/-55.5</td> <td>65</td> <td>as door</td> </tr> <tr> <td>SVDP5543</td> <td>+/-55.5</td> <td>43.2</td> <td>as door</td> </tr> <tr> <td>DDP5558</td> <td>+/-55.5</td> <td>57.6</td> <td>as door</td> </tr> </tbody> </table> <p>W=PT+0.3+CD ; where CD=Carcase Depth and PT=PROFILE THICKNESS of adjacent Door Style</p>	CODE	W (width) (cm)	height (cm)	thickness (cm)	BDP6372	+/-63	72	as door	SBDP6343	+/-63	43.2	as door	VDP5565	+/-55.5	65	as door	SVDP5543	+/-55.5	43.2	as door	DDP5558	+/-55.5	57.6	as door				
CODE	W (width) (cm)	height (cm)	thickness (cm)																												
BDP6372	+/-63	72	as door																												
SBDP6343	+/-63	43.2	as door																												
VDP5565	+/-55.5	65	as door																												
SVDP5543	+/-55.5	43.2	as door																												
DDP5558	+/-55.5	57.6	as door																												
BDPIK6387 VDPIK5580 DDPIK5573		<p><u>BASE, VANITY and DESK DOOR DESIGN END PANELS with INTEGRATED KICK</u></p> <p>FINISHED ONE SIDE, 15cm RETURN and EXPOSED EDGES.</p> <p><b>NOTE: NOT AVAILABLE FOR MITERED DOOR STYLES.</b></p> <p>EXTERIOR EDGES ARE NOT PROFILED FOR DOOR DESIGN END PANELS WHICH HAVE INTEGRATED KICKS. SPECIFY PROFILED EDGES ON ORDER IF REQUIRED.</p> <p>PLEASE SPECIFY L or R ON ORDERS</p>	<table border="1"> <thead> <tr> <th>CODE</th> <th>W (width) (cm)</th> <th>height (cm)</th> <th>thickness (cm)</th> </tr> </thead> <tbody> <tr> <td>BDPIK6387</td> <td>+/-63</td> <td>87</td> <td>as door</td> </tr> <tr> <td>VDPIK5580</td> <td>+/-55.5</td> <td>80</td> <td>as door</td> </tr> <tr> <td>DDPIK5573</td> <td>+/-55.5</td> <td>72.6</td> <td>as door</td> </tr> </tbody> </table> <p>W=PT+0.3+CD ; where CD=Carcase Depth and PT=PROFILE THICKNESS of adjacent Door Style</p>	CODE	W (width) (cm)	height (cm)	thickness (cm)	BDPIK6387	+/-63	87	as door	VDPIK5580	+/-55.5	80	as door	DDPIK5573	+/-55.5	72.6	as door												
CODE	W (width) (cm)	height (cm)	thickness (cm)																												
BDPIK6387	+/-63	87	as door																												
VDPIK5580	+/-55.5	80	as door																												
DDPIK5573	+/-55.5	72.6	as door																												
BWDP3572 VWDP3565 SBWDP3543		<p><u>BASE WALL, VANITY WALL, DESK and SUSPENDED BASE DOOR DESIGN END PANELS</u></p> <p>FINISHED ONE SIDE, 15cm RETURN and EXPOSED EDGES. UNLESS SPECIFIED ALL EXTERIOR EDGES ARE PROFILED. ONLY NON-MITERED 5-PIECE DOOR DESIGN END PANELS CAN BE SPECIFIED WITHOUT PROFILED EDGES.</p> <p><b>NOTE: MITERED DOOR STYLES ARE ONLY AVAILABLE WITH PROFILED EDGES.</b></p> <p>PLEASE SPECIFY L or R ON ORDERS.</p>	<table border="1"> <thead> <tr> <th>CODE</th> <th>W (width) (cm)</th> <th>height (cm)</th> <th>thickness (cm)</th> </tr> </thead> <tbody> <tr> <td>BWDP3572</td> <td>+/-35.5</td> <td>72</td> <td>as door</td> </tr> <tr> <td>VWDP3565</td> <td>+/-35.5</td> <td>65</td> <td>as door</td> </tr> <tr> <td>SBWDP3543</td> <td>+/-35.5</td> <td>43.2</td> <td>as door</td> </tr> </tbody> </table> <p>W=PT+0.3+CD ; where CD=Carcase Depth and PT=PROFILE THICKNESS of adjacent Door Style</p>	CODE	W (width) (cm)	height (cm)	thickness (cm)	BWDP3572	+/-35.5	72	as door	VWDP3565	+/-35.5	65	as door	SBWDP3543	+/-35.5	43.2	as door												
CODE	W (width) (cm)	height (cm)	thickness (cm)																												
BWDP3572	+/-35.5	72	as door																												
VWDP3565	+/-35.5	65	as door																												
SBWDP3543	+/-35.5	43.2	as door																												
WDP3538 WDP3551 WDP3565 WDP3577 WDP3590 WDP35104		<p><u>WALL DOOR DESIGN END PANELS</u></p> <p>FINISHED ONE SIDE, 15cm RETURN and EXPOSED EDGES. UNLESS SPECIFIED ALL EXTERIOR EDGES ARE PROFILED. ONLY NON-MITERED 5-PIECE DOOR DESIGN END PANELS CAN BE SPECIFIED WITHOUT PROFILED EDGES.</p> <p><b>NOTE: MITERED DOOR STYLES ARE ONLY AVAILABLE WITH PROFILED EDGES.</b></p> <p>PLEASE SPECIFY L or R ON ORDERS.</p>	<table border="1"> <thead> <tr> <th>CODE</th> <th>W (width) (cm)</th> <th>height (cm)</th> <th>thickness (cm)</th> </tr> </thead> <tbody> <tr> <td>WDP3538</td> <td>+/-35.5</td> <td>38</td> <td>as door</td> </tr> <tr> <td>WDP3551</td> <td>+/-35.5</td> <td>51</td> <td>as door</td> </tr> <tr> <td>WDP3565</td> <td>+/-35.5</td> <td>65</td> <td>as door</td> </tr> <tr> <td>WDP3577</td> <td>+/-35.5</td> <td>77</td> <td>as door</td> </tr> <tr> <td>WDP3590</td> <td>+/-35.5</td> <td>90</td> <td>as door</td> </tr> <tr> <td>WDP35104</td> <td>+/-35.5</td> <td>104</td> <td>as door</td> </tr> </tbody> </table> <p>W=PT+0.3+CD ; where CD=Carcase Depth and PT=PROFILE THICKNESS of adjacent Door Style</p>	CODE	W (width) (cm)	height (cm)	thickness (cm)	WDP3538	+/-35.5	38	as door	WDP3551	+/-35.5	51	as door	WDP3565	+/-35.5	65	as door	WDP3577	+/-35.5	77	as door	WDP3590	+/-35.5	90	as door	WDP35104	+/-35.5	104	as door
CODE	W (width) (cm)	height (cm)	thickness (cm)																												
WDP3538	+/-35.5	38	as door																												
WDP3551	+/-35.5	51	as door																												
WDP3565	+/-35.5	65	as door																												
WDP3577	+/-35.5	77	as door																												
WDP3590	+/-35.5	90	as door																												
WDP35104	+/-35.5	104	as door																												
WTDP35124 WTD35137 WTD35151 WTD63124 WTD63137 WTD63151		<p><u>WALL TALL DOOR DESIGN END PANELS</u></p> <p>FINISHED ONE SIDE, 15cm RETURN and EXPOSED EDGES. UNLESS SPECIFIED ALL EXTERIOR EDGES ARE PROFILED. ONLY NON-MITERED 5-PIECE DOOR DESIGN END PANELS CAN BE SPECIFIED WITHOUT PROFILED EDGES.</p> <p><b>NOTE: MITERED DOOR STYLES ARE ONLY AVAILABLE WITH PROFILED EDGES.</b></p> <p>PLEASE SPECIFY L or R ON ORDERS.</p>	<table border="1"> <thead> <tr> <th>CODE</th> <th>W (width) (cm)</th> <th>height (cm)</th> <th>thickness (cm)</th> </tr> </thead> <tbody> <tr> <td>WTDP35124</td> <td>+/-35.5</td> <td>124</td> <td>as door</td> </tr> <tr> <td>WTD35137</td> <td>+/-35.5</td> <td>137</td> <td>as door</td> </tr> <tr> <td>WTD35151</td> <td>+/-35.5</td> <td>151</td> <td>as door</td> </tr> <tr> <td>WTD63124</td> <td>+/-63</td> <td>124</td> <td>as door</td> </tr> <tr> <td>WTD63137</td> <td>+/-63</td> <td>137</td> <td>as door</td> </tr> <tr> <td>WTD63151</td> <td>+/-63</td> <td>151</td> <td>as door</td> </tr> </tbody> </table> <p>W=PT+0.3+CD ; where CD=Carcase Depth and PT=PROFILE THICKNESS of adjacent Door Style</p>	CODE	W (width) (cm)	height (cm)	thickness (cm)	WTDP35124	+/-35.5	124	as door	WTD35137	+/-35.5	137	as door	WTD35151	+/-35.5	151	as door	WTD63124	+/-63	124	as door	WTD63137	+/-63	137	as door	WTD63151	+/-63	151	as door
CODE	W (width) (cm)	height (cm)	thickness (cm)																												
WTDP35124	+/-35.5	124	as door																												
WTD35137	+/-35.5	137	as door																												
WTD35151	+/-35.5	151	as door																												
WTD63124	+/-63	124	as door																												
WTD63137	+/-63	137	as door																												
WTD63151	+/-63	151	as door																												
TDP35200 TDP35213 TDP35227 TDP63200 TDP63213 TDP63227		<p><u>TALL DOOR DESIGN END PANELS</u></p> <p>FINISHED ONE SIDE, 15cm RETURN and EXPOSED EDGES. UNLESS SPECIFIED ALL EXTERIOR EDGES ARE PROFILED. ONLY NON-MITERED 5-PIECE DOOR DESIGN END PANELS CAN BE SPECIFIED WITHOUT PROFILED EDGES.</p> <p><b>NOTE: MITERED DOOR STYLES ARE ONLY AVAILABLE WITH PROFILED EDGES.</b></p> <p>PLEASE SPECIFY L or R ON ORDERS.</p>	<table border="1"> <thead> <tr> <th>CODE</th> <th>W (width) (cm)</th> <th>height (cm)</th> <th>thickness (cm)</th> </tr> </thead> <tbody> <tr> <td>TDP35200</td> <td>+/-35.5</td> <td>200</td> <td>as door</td> </tr> <tr> <td>TDP35213</td> <td>+/-35.5</td> <td>213</td> <td>as door</td> </tr> <tr> <td>TDP35227</td> <td>+/-35.5</td> <td>227</td> <td>as door</td> </tr> <tr> <td>TDP63200</td> <td>+/-63</td> <td>200</td> <td>as door</td> </tr> <tr> <td>TDP63213</td> <td>+/-63</td> <td>213</td> <td>as door</td> </tr> <tr> <td>TDP63227</td> <td>+/-63</td> <td>227</td> <td>as door</td> </tr> </tbody> </table> <p>W=PT+0.3+CD ; where CD=Carcase Depth and PT=PROFILE THICKNESS of adjacent Door Style</p>	CODE	W (width) (cm)	height (cm)	thickness (cm)	TDP35200	+/-35.5	200	as door	TDP35213	+/-35.5	213	as door	TDP35227	+/-35.5	227	as door	TDP63200	+/-63	200	as door	TDP63213	+/-63	213	as door	TDP63227	+/-63	227	as door
CODE	W (width) (cm)	height (cm)	thickness (cm)																												
TDP35200	+/-35.5	200	as door																												
TDP35213	+/-35.5	213	as door																												
TDP35227	+/-35.5	227	as door																												
TDP63200	+/-63	200	as door																												
TDP63213	+/-63	213	as door																												
TDP63227	+/-63	227	as door																												

# DOOR DESIGN END PANELS (FINISHED ONE SIDE)

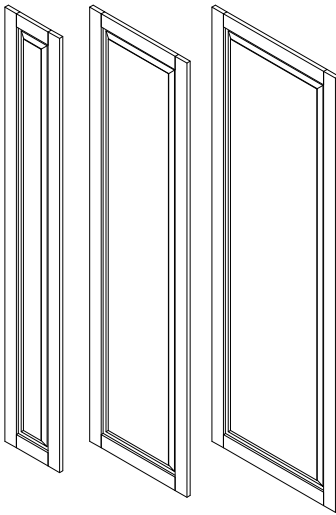
PART - 2



## ILLUSTRATION

## DESCRIPTION

TDP35244  
TDP65244  
TDP80244



### TALL DOOR DESIGN END PANELS

FINISHED ONE SIDE, 15cm RETURN and EXPOSED EDGES.

UNLESS SPECIFIED ALL EXTERIOR EDGES ARE PROFILED.

ONLY NON-MITERED 5-PIECE DOOR DESIGN END PANELS CAN BE SPECIFIED WITHOUT PROFILED EDGES.

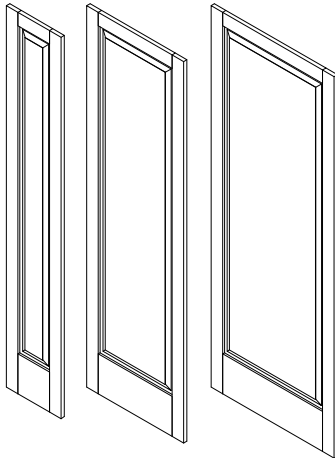
**NOTE: MITERED DOOR STYLES ARE ONLY AVAILABLE WITH PROFILED EDGES.**

PLEASE SPECIFY L or R ON ORDERS.

CODE	W (width) (cm)	height (cm)	thickness (cm)
TDP35244	+/-35.5	244	as door
TDP65244	65.5	244	as door
TDP80244	80	244	as door

W=PT+0.3+CD ; where CD=Carcase Depth and PT=PROFILE THICKNESS of adjacent Door Style

TDPIK35215  
TDPIK35228  
TDPIK35242  
TDPIK65215  
TDPIK65228  
TDPIK65242  
TDPIK80215  
TDPIK80228  
TDPIK80242



### TALL DOOR DESIGN END PANELS with INTEGRATED KICK

FINISHED ONE SIDE, 15cm RETURN and EXPOSED EDGES.

**NOTE: NOT AVAILABLE FOR MITERED DOOR STYLES.**

EXTERIOR EDGES ARE NOT PROFILED FOR DOOR DESIGN END PANELS WHICH HAVE INTEGRATED KICKS. SPECIFY PROFILED EDGES ON ORDER IF REQUIRED.

PLEASE SPECIFY L or R ON ORDERS

CODE	W (width) (cm)	height (cm)	thickness (cm)
TDPIK35215	+/-35.5	215	as door
TDPIK35228	+/-35.5	228	as door
TDPIK35242	+/-35.5	242	as door
TDPIK65215	65.5	215	as door
TDPIK65228	65.5	228	as door
TDPIK65242	65.5	242	as door
TDPIK80215	80	215	as door
TDPIK80228	80	228	as door
TDPIK80242	80	242	as door

W=PT+0.3+CD ; where CD=Carcase Depth and PT=PROFILE THICKNESS of adjacent Door Style

# 4cm THICK "J" END PANELS

## 5cm THICK "J" END PANELS



### ILLUSTRATION

### DESCRIPTION

### PANEL TYPE

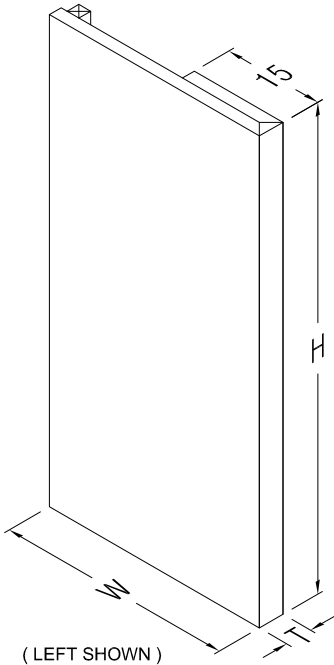
### CODE

W  
(cm)

H  
(cm)

T  
(cm)

#### 4cm THICK "J" END PANEL



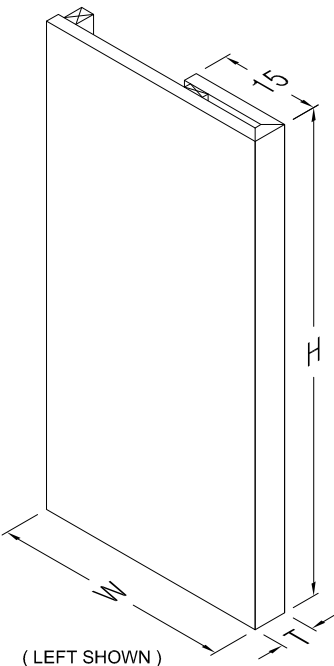
**4cm THICK "J" END PANEL**  
4cm THICK "J" END PANEL w/ 15cm RETURN.  
FACTORY ASSEMBLED MITERS  
ALL EDGES ARE SQUARE  
FINISHED ON SIDE, FRONT FACE, 15cm RETURN and EXPOSED EDGES  
PLEASE SPECIFY L or R ON ORDERS

$$W = PT + 0.3 + CD$$

where  
CD=Carcase Depth and  
PT=PROFILE THICKNESS of adjacent Door Style

BASE	BJEP6372-4	+/-63	72	3.8 to 4.0
BASE to FLOOR	BJEP6387-4	+/-63	87	3.8 to 4.0
SUSPENDED BASE	SBJEP6343.2-4	+/-63	43.2	3.8 to 4.0
VANITY	VJEP5565-4	+/-55.5	65	3.8 to 4.0
VANITY to FLOOR	VJEP5580-4	+/-55.5	80	3.8 to 4.0
SUSPENDED VANITY	SVJEP5543.2-4	+/-55.5	43.2	3.8 to 4.0
DESK	DJEP5557.6-4	+/-55.5	57.6	3.8 to 4.0
DESK to FLOOR	DJEP5572.6-4	+/-35.5	72.6	3.8 to 4.0
BASE WALL	BWJEP3572-4	+/-35.5	72	3.8 to 4.0
BASE WALL to FLOOR	BWJEP3587-4	+/-35.5	87	3.8 to 4.0
VANITY WALL	VWJEP3565-4	+/-35.5	65	3.8 to 4.0
VANITY WALL to FLOOR	VWJEP3580-4	+/-35.5	80	3.8 to 4.0
WALL	WJEP3538-4	+/-35.5	38	3.8 to 4.0
"	WJEP3551-4	+/-35.5	51	3.8 to 4.0
"	WJEP3565-4	+/-35.5	65	3.8 to 4.0
"	WJEP3577-4	+/-35.5	77	3.8 to 4.0
"	WJEP3590-4	+/-35.5	90	3.8 to 4.0
"	WJEP35104-4	+/-35.5	104	3.8 to 4.0
WALL TALL 35 WIDE	WTJEP35151-4	+/-35.5	up to 155	3.8 to 4.0
WALL TALL 63 WIDE	WTJEP63151-4	+/-63	up to 155	3.8 to 4.0
TALL 35 WIDE	TJEP35200-4	+/-35.5	200	3.8 to 4.0
"	TJEP35213-4	+/-35.5	213	3.8 to 4.0
"	TJEP35227-4	+/-35.5	227	3.8 to 4.0
TALL 65 WIDE	TJEP65200-4	65.5	200	3.8 to 4.0
"	TJEP65213-4	65.5	213	3.8 to 4.0
"	TJEP65227-4	65.5	227	3.8 to 4.0
TALL 244 HIGH	TJEP35244-4	+/-35.5	244	3.8 to 4.0
"	TJEP65244-4	65.5	244	3.8 to 4.0
"	TJEP80244-4	80	244	3.8 to 4.0

#### 5cm THICK "J" END PANEL



**5cm THICK "J" END PANEL**  
5cm THICK "J" END PANEL w/ 15cm RETURN  
FACTORY ASSEMBLED MITERS  
ALL EDGES ARE SQUARE  
FINISHED ON SIDE, FRONT FACE, 15cm RETURN and EXPOSED EDGES  
PLEASE SPECIFY L or R ON ORDERS

$$W = PT + 0.3 + CD$$

where  
CD=Carcase Depth and  
PT=PROFILE THICKNESS of adjacent Door Style

PANEL TYPE	CODE	W (cm)	H (cm)	T (cm)
BASE	BJEP6372-5	+/-63	72	5
BASE to FLOOR	BJEP6387-5	+/-63	87	5
SUSPENDED BASE	SBJEP6343.2-5	+/-63	43.2	5
VANITY	VJEP5565-5	+/-55.5	65	5
VANITY to FLOOR	VJEP5580-5	+/-55.5	80	5
SUSPENDED VANITY	SVJEP5543.2-5	+/-55.5	43.2	5
DESK	DJEP5557.6-5	+/-55.5	57.6	5
DESK to FLOOR	DJEP5572.6-5	+/-35.5	72.6	5
BASE WALL	BWJEP3572-5	+/-35.5	72	5
BASE WALL to FLOOR	BWJEP3587-5	+/-35.5	87	5
VANITY WALL	VWJEP3565-5	+/-35.5	65	5
VANITY WALL to FLOOR	VWJEP3580-5	+/-35.5	80	5
WALL	WJEP3538-5	+/-35.5	38	5
"	WJEP3551-5	+/-35.5	51	5
"	WJEP3565-5	+/-35.5	65	5
"	WJEP3577-5	+/-35.5	77	5
"	WJEP3590-5	+/-35.5	90	5
"	WJEP35104-5	+/-35.5	104	5
WALL TALL 35 WIDE	WTJEP35151-5	+/-35.5	up to 155	5
WALL TALL 63 WIDE	WTJEP63151-5	+/-63	up to 155	5
TALL 35 WIDE	TJEP35200-5	+/-35.5	200	5
"	TJEP35213-5	+/-35.5	213	5
"	TJEP35227-5	+/-35.5	227	5
TALL 65 WIDE	TJEP65200-5	65.5	200	5
"	TJEP65213-5	65.5	213	5
"	TJEP65227-5	65.5	227	5
TALL 244 HIGH	TJEP35244-5	+/-35.5	244	5
"	TJEP65244-5	65.5	244	5
"	TJEP80244-5	80	244	5

# 10cm THICK "J" END PANELS "L" PANELS



ILLUSTRATION	DESCRIPTION	PANEL TYPE	CODE	W (cm)	H (cm)	T (cm)
<p>10cm THICK "J" END PANEL</p> <p>(LEFT SHOWN)</p>	<p><u>10cm THICK "J" END PANEL</u></p> <p>10cm THICK "J" END PANEL w/ 15cm RETURN</p> <p>FACTORY ASSEMBLED MITERS</p> <p>ALL EDGES ARE SQUARE</p> <p>FINISHED ON SIDE, FRONT FACE, 15cm RETURN and EXPOSED EDGES</p> <p>PLEASE SPECIFY L or R ON ORDERS</p> <p>W=PT+0.3+CD ; where CD=Carcase Depth and PT=PROFILE THICKNESS of adjacent Door Style</p>	BASE	BJEP6372-10	+/-63	72	10
		BASE to FLOOR	BJEP6387-10	+/-63	87	10
		SUSPENDED BASE	SBJEP6343.2-10	+/-63	43.2	10
		VANITY	VJEP5565-10	+/-55.5	65	10
		VANITY to FLOOR	VJEP5580-10	+/-55.5	80	10
		SUSPENDED VANITY	SVJEP5543.2-10	+/-55.5	43.2	10
		DESK	DJEP5557.6-10	+/-55.5	57.6	10
		DESK to FLOOR	DJEP5572.6-10	+/-35.5	72.6	10
		BASE WALL	BWJEP3572-10	+/-35.5	72	10
		BASE WALL to FLOOR	BWJEP3587-10	+/-35.5	87	10
		VANITY WALL	VWJEP3565-10	+/-35.5	65	10
		VANITY WALL to FLOOR	VWJEP3580-10	+/-35.5	80	10
		WALL	WJEP3538-10	+/-35.5	38	10
		"	WJEP3551-10	+/-35.5	51	10
		"	WJEP3565-10	+/-35.5	65	10
		"	WJEP3577-10	+/-35.5	77	10
		"	WJEP3590-10	+/-35.5	90	10
		"	WJEP35104-10	+/-35.5	104	10
		WALL TALL 35 WIDE	WTJEP35151-10	+/-35.5	up to155	10
		WALL TALL 63 WIDE	WTJEP63151-10	+/-63	up to155	10
		TALL 35 WIDE	TJEP35200-10	+/-35.5	200	10
		"	TJEP35213-10	+/-35.5	213	10
		"	TJEP35227-10	+/-35.5	227	10
		TALL 65 WIDE	TJEP65200-10	65.5	200	10
		"	TJEP65213-10	65.5	213	10
		"	TJEP65227-10	65.5	227	10
		TALL 244 HIGH	TJEP35244-10	+/-35.5	244	10
		"	TJEP65244-10	65.5	244	10
"	TJEP80244-10	80	244	10		
<p>"L" PANEL</p> <p>(RIGHT SHOWN)</p>	<p><u>10cm THICK "L" PANEL</u></p> <p>10cm THICK "L" PANEL</p> <p>FACTORY ASSEMBLED MITER</p> <p>ALL EDGES ARE SQUARE</p> <p>FINISHED ON SIDE, FRONT FACE and EXPOSED EDGES</p> <p>PLEASE SPECIFY L or R ON ORDERS</p> <p>W=PT+0.3+CD ; where CD=Carcase Depth and PT=PROFILE THICKNESS of adjacent Door Style</p>	PANEL TYPE	CODE	W (cm)	H (cm)	T (cm)
		BASE	BLP6372-10	+/-63	72	10
		BASE to FLOOR	BLP6387-10	+/-63	87	10
		VANITY	VLP5565-10	+/-55.5	65	10
		VANITY to FLOOR	VLP5580-10	+/-55.5	80	10
		DESK	DLP5557.6-10	+/-55.5	57.6	10
		DESK to FLOOR	DLP5572.6-10	+/-35.5	72.6	10
		BASE WALL	BWLP3572-10	+/-35.5	72	10
		BASE WALL to FLOOR	BWLP3587-10	+/-35.5	87	10
		VANITY WALL	VWLP3565-10	+/-35.5	65	10
		VANITY WALL to FLOOR	VWLP3580-10	+/-35.5	80	10
		WALL TALL 35 WIDE	WTLP35151-10	+/-35.5	up to155	10
		WALL TALL 63 WIDE	WTLP63151-10	+/-63	up to155	10
		TALL 35 WIDE	TLP35200-10	+/-35.5	200	10
		"	TLP35213-10	+/-35.5	213	10
		"	TLP35227-10	+/-35.5	227	10
		TALL 65 WIDE	TLP65200-10	65.5	200	10
		"	TLP65213-10	65.5	213	10
		"	TLP65227-10	65.5	227	10
		TALL 244 HIGH	TLP35244-10	+/-35.5	244	10
		"	TLP65244-10	65.5	244	10
		"	TLP80244-10	80	244	10

4cm "U" PILASTERS  
5cm "U" PILASTERS



ILLUSTRATION	DESCRIPTION	PILASTER TYPE	CODE	D	H	W
				(cm)	(cm)	(cm)
<p>4cm "U" PILASTER</p>	<p>4cm "U" PILASTER</p> <p>FINISHED TWO SIDES, FRONT FACE and EXPOSED EDGES</p> <p>FACTORY ASSEMBLED MITERS</p> <p>ALL EDGES ARE SQUARE.</p>	BASE	BUP72-4	15	72	3.8 to 4.0
		BASE to FLOOR	BUP87-4	15	87	3.8 to 4.0
		SUSPENDED BASE	SBUP43.2-4	15	43.2	3.8 to 4.0
		VANITY	VUP65-4	15	65	3.8 to 4.0
		VANITY to FLOOR	VUP80-4	15	80	3.8 to 4.0
		DESK	DUP57.6-4	15	57.6	3.8 to 4.0
		DESK to FLOOR	DUP72.6-4	15	72.6	3.8 to 4.0
		WALL	WUP38-4	15	38	3.8 to 4.0
		"	WUP51-4	15	51	3.8 to 4.0
		"	WUP65-4	15	65	3.8 to 4.0
		"	WUP77-4	15	77	3.8 to 4.0
		"	WUP90-4	15	90	3.8 to 4.0
		"	WUP104-4	15	104	3.8 to 4.0
		WALL TALL	WTUP151-4	15	up to 155	3.8 to 4.0
		TALL	TUP200-4	15	200	3.8 to 4.0
		"	TUP213-4	15	213	3.8 to 4.0
		"	TUP227-4	15	227	3.8 to 4.0
		"	TUP244-4	15	244	3.8 to 4.0
<p>5cm "U" PILASTER</p>	<p>5cm "U" PILASTER</p> <p>FINISHED TWO SIDES, FRONT FACE and EXPOSED EDGES</p> <p>FACTORY ASSEMBLED MITERS</p> <p>ALL EDGES ARE SQUARE.</p>	PILASTER TYPE	CODE	D	H	W
				(cm)	(cm)	(cm)
		BASE	BUP72-5	15	72	5
		BASE to FLOOR	BUP87-5	15	87	5
		SUSPENDED BASE	SBUP43.2-5	15	43.2	5
		VANITY	VUP65-5	15	65	5
		VANITY to FLOOR	VUP80-5	15	80	5
		DESK	DUP57.6-5	15	57.6	5
		DESK to FLOOR	DUP72.6-5	15	72.6	5
		WALL	WUP38-5	15	38	5
		"	WUP51-5	15	51	5
		"	WUP65-5	15	65	5
		"	WUP77-5	15	77	5
		"	WUP90-5	15	90	5
		"	WUP104-5	15	104	5
		WALL TALL	WTUP151-5	15	up to 155	5
		TALL	TUP200-5	15	200	5
		"	TUP213-5	15	213	5
"	TUP227-5	15	227	5		
"	TUP244-5	15	244	5		

7.6cm "U" PILASTERS  
10cm "U" PILASTERS



ILLUSTRATION	DESCRIPTION	PILASTER TYPE	CODE	D (cm)	H (cm)	W (cm)
<p>7.6cm "U" PILASTER</p>	<p><u>7.6cm "U" PILASTER</u></p> <p>FINISHED TWO SIDES, FRONT FACE and EXPOSED EDGES</p> <p>FACTORY ASSEMBLED MITERS</p> <p>ALL EDGES ARE SQUARE.</p>	BASE	BUP72-7.6	15	72	7.6
		BASE to FLOOR	BUP87-7.6	15	87	7.6
		SUSPENDED BASE	SBUP43.2-7.6	15	43.2	7.6
		VANITY	VUP65-7.6	15	65	7.6
		VANITY to FLOOR	VUP80-7.6	15	80	7.6
		DESK	DUP57.6-7.6	15	57.6	7.6
		DESK to FLOOR	DUP72.6-7.6	15	72.6	7.6
		WALL	WUP38-7.6	15	38	7.6
		"	WUP51-7.6	15	51	7.6
		"	WUP65-7.6	15	65	7.6
		"	WUP77-7.6	15	77	7.6
		"	WUP90-7.6	15	90	7.6
		"	WUP104-7.6	15	104	7.6
		WALL TALL	WTUP151-7.6	15	up to 155	7.6
		TALL	TUP200-7.6	15	200	7.6
		"	TUP213-7.6	15	213	7.6
		"	TUP227-7.6	15	227	7.6
		"	TUP244-7.6	15	244	7.6
<p>10cm "U" PILASTER</p>	<p><u>10cm "U" PILASTER</u></p> <p>FINISHED TWO SIDES, FRONT FACE and EXPOSED EDGES</p> <p>FACTORY ASSEMBLED MITERS</p> <p>ALL EDGES ARE SQUARE.</p>	PILASTER TYPE	CODE	D (cm)	H (cm)	W (cm)
		BASE	BUP72-10	15	72	10
		BASE to FLOOR	BUP87-10	15	87	10
		SUSPENDED BASE	SBUP43.2-10	15	43.2	10
		VANITY	VUP65-10	15	65	10
		VANITY to FLOOR	VUP80-10	15	80	10
		DESK	DUP57.6-10	15	57.6	10
		DESK to FLOOR	DUP72.6-10	15	72.6	10
		WALL	WUP38-10	15	38	10
		"	WUP51-10	15	51	10
		"	WUP65-10	15	65	10
		"	WUP77-10	15	77	10
		"	WUP90-10	15	90	10
		"	WUP104-10	15	104	10
		WALL TALL	WTUP151-10	15	up to 155	10
		TALL	TUP200-10	15	200	10
		"	TUP213-10	15	213	10
		"	TUP227-10	15	227	10
"	TUP244-10	15	244	10		

# 4cm "U" TYPE END PANELS

## 5cm "U" TYPE END PANELS



ILLUSTRATION	DESCRIPTION	PANEL TYPE	CODE	W (cm)	H (cm)	T (cm)
<p>4cm "U" TYPE END PANEL</p>	<p><u>4cm "U" TYPE END PANEL</u></p> <p>FINISHED TWO SIDES, FRONT FACE and EXPOSED EDGES</p> <p>FACTORY ASSEMBLED MITERS</p> <p>ALL EDGES ARE SQUARE.</p> <p>W=PT+0.3+CD ; where CD=Carcase Depth and PT=PROFILE THICKNESS of adjacent Door Style</p>	BASE	BUPE6372-4	+/-63	72	3.8 to 4.0
		BASE to FLOOR	BUPE6387-4	+/-63	87	3.8 to 4.0
		SUSPENDED BASE	SBUEP6343.2-4	+/-63	43.2	3.8 to 4.0
		VANITY	VUEP5565-4	+/-55.5	65	3.8 to 4.0
		VANITY to FLOOR	VUEP5580-4	+/-55.5	80	3.8 to 4.0
		SUSPENDED VANITY	SVUEP5543.2-4	+/-55.5	43.2	3.8 to 4.0
		DESK	DUEP5557.6-4	+/-55.5	57.6	3.8 to 4.0
		DESK to FLOOR	DUEP5572.6-4	+/-35.5	72.6	3.8 to 4.0
		BASE WALL	BWUEP3572-4	+/-35.5	72	3.8 to 4.0
		BASE WALL to FLOOR	BWUEP3587-4	+/-35.5	87	3.8 to 4.0
		VANITY WALL	VWUEP3565-4	+/-35.5	65	3.8 to 4.0
		VANITY WALL to FLOOR	VWUEP3580-4	+/-35.5	80	3.8 to 4.0
		WALL	WUEP3538-4	+/-35.5	38	3.8 to 4.0
		"	WUEP3551-4	+/-35.5	51	3.8 to 4.0
		"	WUEP3565-4	+/-35.5	65	3.8 to 4.0
		"	WUEP3577-4	+/-35.5	77	3.8 to 4.0
		"	WUEP3590-4	+/-35.5	90	3.8 to 4.0
		"	WUEP35104-4	+/-35.5	104	3.8 to 4.0
		WALL TALL 35 WIDE	WTUEP35151-4	+/-35.5	up to 155	3.8 to 4.0
		WALL TALL 63 WIDE	WTUEP63151-4	+/-63	up to 155	3.8 to 4.0
		TALL 35 WIDE	TUEP35200-4	+/-35.5	200	3.8 to 4.0
		"	TUEP35213-4	+/-35.5	213	3.8 to 4.0
		"	TUEP35227-4	+/-35.5	227	3.8 to 4.0
		TALL 65 WIDE	TUEP65200-4	65.5	200	3.8 to 4.0
		"	TUEP65213-4	65.5	213	3.8 to 4.0
		"	TUEP65227-4	65.5	227	3.8 to 4.0
		TALL 244 HIGH	TUEP35244-4	+/-35.5	244	3.8 to 4.0
		"	TUEP65244-4	65.5	244	3.8 to 4.0
"	TUEP80244-4	80	244	3.8 to 4.0		
<p>5cm "U" TYPE END PANEL</p>	<p><u>5cm "U" TYPE END PANEL</u></p> <p>FINISHED TWO SIDES, FRONT FACE and EXPOSED EDGES</p> <p>FACTORY ASSEMBLED MITERS</p> <p>ALL EDGES ARE SQUARE.</p> <p>W=PT+0.3+CD ; where CD=Carcase Depth and PT=PROFILE THICKNESS of adjacent Door Style</p>	<b>PANEL TYPE</b>	<b>CODE</b>	<b>W (cm)</b>	<b>H (cm)</b>	<b>T (cm)</b>
		BASE	BUPE6372-5	+/-63	72	5
		BASE to FLOOR	BUPE6387-5	+/-63	87	5
		SUSPENDED BASE	SBUEP6343.2-5	+/-63	43.2	5
		VANITY	VUEP5565-5	+/-55.5	65	5
		VANITY to FLOOR	VUEP5580-5	+/-55.5	80	5
		SUSPENDED VANITY	SVUEP5543.2-5	+/-55.5	43.2	5
		DESK	DUEP5557.6-5	+/-55.5	57.6	5
		DESK to FLOOR	DUEP5572.6-5	+/-35.5	72.6	5
		BASE WALL	BWUEP3572-5	+/-35.5	72	5
		BASE WALL to FLOOR	BWUEP3587-5	+/-35.5	87	5
		VANITY WALL	VWUEP3565-5	+/-35.5	65	5
		VANITY WALL to FLOOR	VWUEP3580-5	+/-35.5	80	5
		WALL	WUEP3538-5	+/-35.5	38	5
		"	WUEP3551-5	+/-35.5	51	5
		"	WUEP3565-5	+/-35.5	65	5
		"	WUEP3577-5	+/-35.5	77	5
		"	WUEP3590-5	+/-35.5	90	5
		"	WUEP35104-5	+/-35.5	104	5
		WALL TALL 35 WIDE	WTUEP35151-5	+/-35.5	up to 155	5
		WALL TALL 63 WIDE	WTUEP63151-5	+/-63	up to 155	5
		TALL 35 WIDE	TUEP35200-5	+/-35.5	200	5
		"	TUEP35213-5	+/-35.5	213	5
		"	TUEP35227-5	+/-35.5	227	5
		TALL 65 WIDE	TUEP65200-5	65.5	200	5
		"	TUEP65213-5	65.5	213	5
		"	TUEP65227-5	65.5	227	5
		TALL 244 HIGH	TUEP35244-5	+/-35.5	244	5
"	TUEP65244-5	65.5	244	5		
"	TUEP80244-5	80	244	5		

7.6cm "U" TYPE END PANELS  
10cm "U" TYPE END PANELS



ILLUSTRATION	DESCRIPTION	PANEL TYPE	CODE	W (cm)	H (cm)	T (cm)
<p>7.6cm "U" TYPE END PANEL</p>	<p><u>7.6cm "U" TYPE END PANEL</u> FINISHED TWO SIDES, FRONT FACE and EXPOSED EDGES  FACTORY ASSEMBLED MITERS  ALL EDGES ARE SQUARE.</p> <p>W=PT+0.3+CD ; where CD=Carcase Depth and PT=PROFILE THICKNESS of adjacent Door Style</p>	BASE	BU EP6372-7.6	+/-63	72	7.6
		BASE to FLOOR	BU EP6387-7.6	+/-63	87	7.6
		SUSPENDED BASE	SBUEP6343.2-7.6	+/-63	43.2	7.6
		VANITY	VUEP5565-7.6	+/-55.5	65	7.6
		VANITY to FLOOR	VUEP5580-7.6	+/-55.5	80	7.6
		SUSPENDED VANITY	SVUEP5543.2-7.6	+/-55.5	43.2	7.6
		DESK	DUEP5557.6-7.6	+/-55.5	57.6	7.6
		DESK to FLOOR	DUEP5572.6-7.6	+/-35.5	72.6	7.6
		BASE WALL	BWUEP3572-7.6	+/-35.5	72	7.6
		BASE WALL to FLOOR	BWUEP3587-7.6	+/-35.5	87	7.6
		VANITY WALL	VWUEP3565-7.6	+/-35.5	65	7.6
		VANITY WALL to FLOOR	VWUEP3580-7.6	+/-35.5	80	7.6
		WALL	WUEP3538-7.6	+/-35.5	38	7.6
		"	WUEP3551-7.6	+/-35.5	51	7.6
		"	WUEP3565-7.6	+/-35.5	65	7.6
		"	WUEP3577-7.6	+/-35.5	77	7.6
		"	WUEP3590-7.6	+/-35.5	90	7.6
		"	WUEP35104-7.6	+/-35.5	104	7.6
		WALL TALL 35 WIDE	WTUEP35151-7.6	+/-35.5	up to155	7.6
		WALL TALL 63 WIDE	WTUEP63151-7.6	+/-63	up to155	7.6
		TALL 35 WIDE	TUEP35200-7.6	+/-35.5	200	7.6
		"	TUEP35213-7.6	+/-35.5	213	7.6
		"	TUEP35227-7.6	+/-35.5	227	7.6
		TALL 65 WIDE	TUEP65200-7.6	65.5	200	7.6
		"	TUEP65213-7.6	65.5	213	7.6
		"	TUEP65227-7.6	65.5	227	7.6
		TALL 244 HIGH	TUEP35244-7.6	+/-35.5	244	7.6
		"	TUEP65244-7.6	65.5	244	7.6
"	TUEP80244-7.6	80	244	7.6		
<p>10cm "U" TYPE END PANEL</p>	<p><u>10cm "U" TYPE END PANEL</u> FINISHED TWO SIDES, FRONT FACE and EXPOSED EDGES  FACTORY ASSEMBLED MITERS  ALL EDGES ARE SQUARE.</p> <p>W=PT+0.3+CD ; where CD=Carcase Depth and PT=PROFILE THICKNESS of adjacent Door Style</p>	<b>PANEL TYPE</b>	<b>CODE</b>	<b>W (cm)</b>	<b>H (cm)</b>	<b>T (cm)</b>
		BASE	BU EP6372-10	+/-63	72	10
		BASE to FLOOR	BU EP6387-10	+/-63	87	10
		VANITY	VUEP5565-10	+/-55.5	65	10
		VANITY to FLOOR	VUEP5580-10	+/-55.5	80	10
		DESK	DUEP5557.6-10	+/-55.5	57.6	10
		DESK to FLOOR	DUEP5572.6-10	+/-35.5	72.6	10
		BASE WALL	BWUEP3572-10	+/-35.5	72	10
		BASE WALL to FLOOR	BWUEP3587-10	+/-35.5	87	10
		VANITY WALL	VWUEP3565-10	+/-35.5	65	10
		VANITY WALL to FLOOR	VWUEP3580-10	+/-35.5	80	10
		WALL TALL 35 WIDE	WTUEP35151-10	+/-35.5	up to155	10
		WALL TALL 63 WIDE	WTUEP63151-10	+/-63	up to155	10
		TALL 35 WIDE	TUEP35200-10	+/-35.5	200	10
		"	TUEP35213-10	+/-35.5	213	10
		"	TUEP35227-10	+/-35.5	227	10
		TALL 65 WIDE	TUEP65200-10	65.5	200	10
		"	TUEP65213-10	65.5	213	10
		"	TUEP65227-10	65.5	227	10
		TALL 244 HIGH	TUEP35244-10	+/-35.5	244	10
		"	TUEP65244-10	65.5	244	10
		"	TUEP80244-10	80	244	10

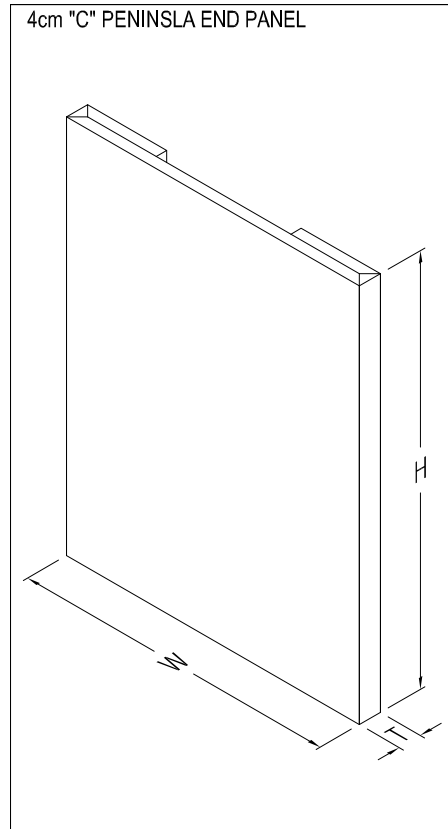
# 4cm "C" TYPE PENINSULA END PANELS

## 5cm "C" TYPE PENINSULA END PANELS



### ILLUSTRATION

### DESCRIPTION

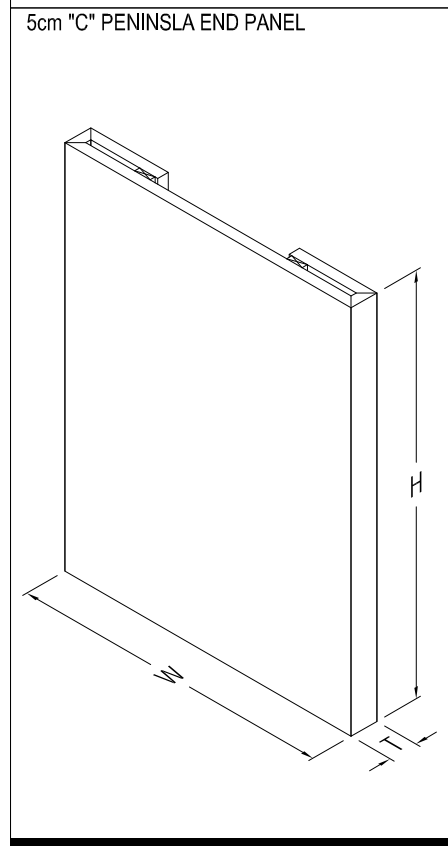


4cm "C" PENINSULA END PANEL

FINISHED ONE SIDE, TWO VERTICAL EDGES, TWO 15cm RETURNS and EXPOSED EDGES

FACTORY ASSEMBLED MITERS

ALL EDGES ARE SQUARE.



5cm "C" PENINSULA END PANEL

FINISHED ONE SIDE, TWO VERTICAL EDGES, TWO 15cm RETURNS and EXPOSED EDGES

FACTORY ASSEMBLED MITERS

ALL EDGES ARE SQUARE.

PANEL TYPE	CODE	W (cm)	H (cm)	T (cm)
BASE	BCPE6572-4	+/-65.5	72	3.8~4
BASE to FLOOR	BCPE6587-4	+/-65.5	87	3.8~4
SB (Suspended Base)	SBCPE6543.2-4	+/-65.5	43.2	3.8~4
BASE + BASE WALL	BWCPE9872-4	+/-98.5	72	3.8~4
BASE + BW (to Floor)	BWCPE9887-4	+/-98.5	87	3.8~4
SB + SB	BBCPE12643.2-4	+/-126	43.2	3.8~4
BASE + BASE	BBCPE12672-4	+/-126	72	3.8~4
BASE + BASE (to Floor)	BBCPE12687-4	+/-126	87	3.8~4
WALL	WCPE3838-4	+/-38	38	3.8~4
WALL	WCPE3851-4	+/-38	51	3.8~4
WALL	WCPE3865-4	+/-38	65	3.8~4
WALL	WCPE3877-4	+/-38	77	3.8~4
WALL	WCPE3890-4	+/-38	90	3.8~4
WALL	WCPE38104-4	+/-38	104	3.8~4

$$W=(PTF+0.3+CD)+(PTB+B); \text{ where}$$

CD=Carcase Depth (or Combined Carcase Depth)  
 PTF=Profile Thickness of Front Door  
 PPB=Profile Thickness of Back Door or Panel  
 B=Bumper (0.3 for Bumper if used)

PANEL TYPE	CODE	W (cm)	H (cm)	T (cm)
BASE	BCPE6572-5	+/-65.5	72	5
BASE to FLOOR	BCPE6587-5	+/-65.5	87	5
SB (Suspended Base)	SBCPE6543.2-5	+/-65.5	43.2	5
BASE + BASE WALL	BWCPE9872-5	+/-98.5	72	5
BASE + BW (to Floor)	BWCPE9887-5	+/-98.5	87	5
SB + SB	BBCPE12643.2-5	+/-126	43.2	5
BASE + BASE	BBCPE12672-5	+/-126	72	5
BASE + BASE (to Floor)	BBCPE12687-5	+/-126	87	5
WALL	WCPE3838-5	+/-38	38	5
WALL	WCPE3851-5	+/-38	51	5
WALL	WCPE3865-5	+/-38	65	5
WALL	WCPE3877-5	+/-38	77	5
WALL	WCPE3890-5	+/-38	90	5
WALL	WCPE38104-5	+/-38	104	5

$$W=(PTF+0.3+CD)+(PTB+B); \text{ where}$$

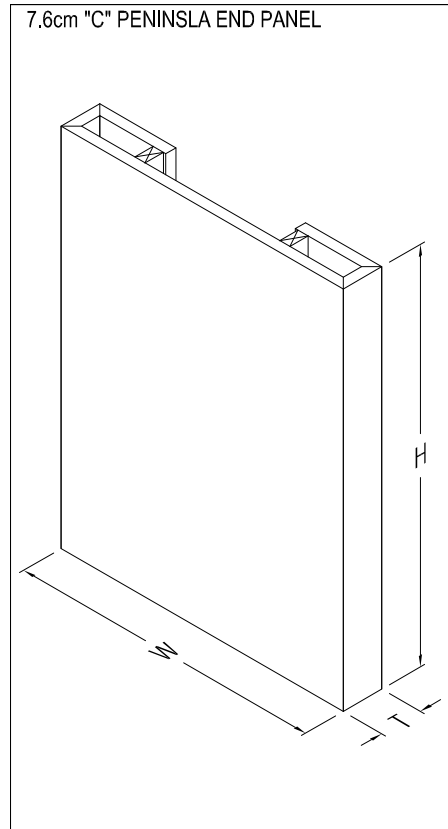
CD=Carcase Depth (or Combined Carcase Depth)  
 PTF=Profile Thickness of Front Door  
 PPB=Profile Thickness of Back Door or Panel  
 B=Bumper (0.3 for Bumper if used)

7.6cm "C" TYPE PENINSULA END PANELS  
10cm "C" TYPE PENINSULA END PANELS



ILLUSTRATION

DESCRIPTION



7.6cm "C" PENINSULA END PANEL

FINISHED ONE SIDE, TWO VERTICAL EDGES, TWO 15cm RETURNS and EXPOSED EDGES

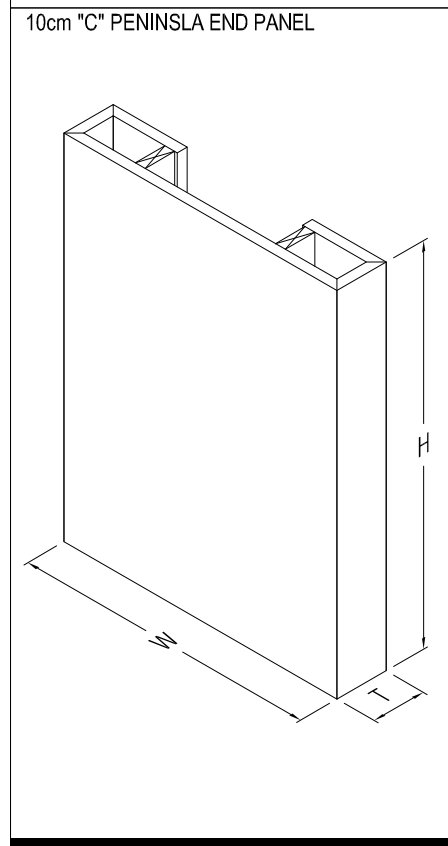
FACTORY ASSEMBLED MITERS

ALL EDGES ARE SQUARE.

PANEL TYPE CODE		W (cm)	H (cm)	T (cm)
BASE	BCPE6572-7.6	+/-65.5	72	7.6
BASE to FLOOR	BCPE6587-7.6	+/-65.5	87	7.6
SB (Suspended Base)	SBCPE6543.2-7.6	+/-65.5	43.2	7.6
BASE + BASE WALL	BWCPE9872-7.6	+/-98.5	72	7.6
BASE + BW (to Floor)	BWCPE9887-7.6	+/-98.5	87	7.6
SB + SB	BBCPE12643.2-7.6	+/-126	43.2	7.6
BASE + BASE	BBCPE12672-7.6	+/-126	72	7.6
BASE + BASE (to Floor)	BBCPE12687-7.6	+/-126	87	7.6
WALL	WCPE3838-7.6	+/-38	38	7.6
WALL	WCPE3851-7.6	+/-38	51	7.6
WALL	WCPE3865-7.6	+/-38	65	7.6
WALL	WCPE3877-7.6	+/-38	77	7.6
WALL	WCPE3890-7.6	+/-38	90	7.6
WALL	WCPE38104-7.6	+/-38	104	7.6

W=(PTF+0.3+CD)+(PTB+B) ; where

CD=Carcase Depth (or Combined Carcase Depth)  
PTF=Profile Thickness of Front Door  
PPB=Profile Thickness of Back Door or Panel  
B=Bumper (0.3 for Bumper if used)



10cm "C" PENINSULA END PANEL

FINISHED ONE SIDE, TWO VERTICAL EDGES, TWO 15cm RETURNS and EXPOSED EDGES

FACTORY ASSEMBLED MITERS

ALL EDGES ARE SQUARE.

PANEL TYPE CODE		W (cm)	H (cm)	T (cm)
BASE	BCPE6572-10	+/-65.5	72	10
BASE to FLOOR	BCPE6587-10	+/-65.5	87	10
SB (Suspended Base)	SBCPE6543.2-10	+/-65.5	43.2	10
BASE + BASE WALL	BWCPE9872-10	+/-98.5	72	10
BASE + BW (to Floor)	BWCPE9887-10	+/-98.5	87	10
SB + SB	BBCPE12643.2-10	+/-126	43.2	10
BASE + BASE	BBCPE12672-10	+/-126	72	10
BASE + BASE (to Floor)	BBCPE12687-10	+/-126	87	10
WALL	WCPE3838-10	+/-38	38	10
WALL	WCPE3851-10	+/-38	51	10
WALL	WCPE3865-10	+/-38	65	10
WALL	WCPE3877-10	+/-38	77	10
WALL	WCPE3890-10	+/-38	90	10
WALL	WCPE38104-10	+/-38	104	10

W=(PTF+0.3+CD)+(PTB+B) ; where

CD=Carcase Depth (or Combined Carcase Depth)  
PTF=Profile Thickness of Front Door  
PPB=Profile Thickness of Back Door or Panel  
B=Bumper (0.3 for Bumper if used)

# V-GROOVE END PANELS



## ILLUSTRATION

## DESCRIPTION

## PANEL TYPE

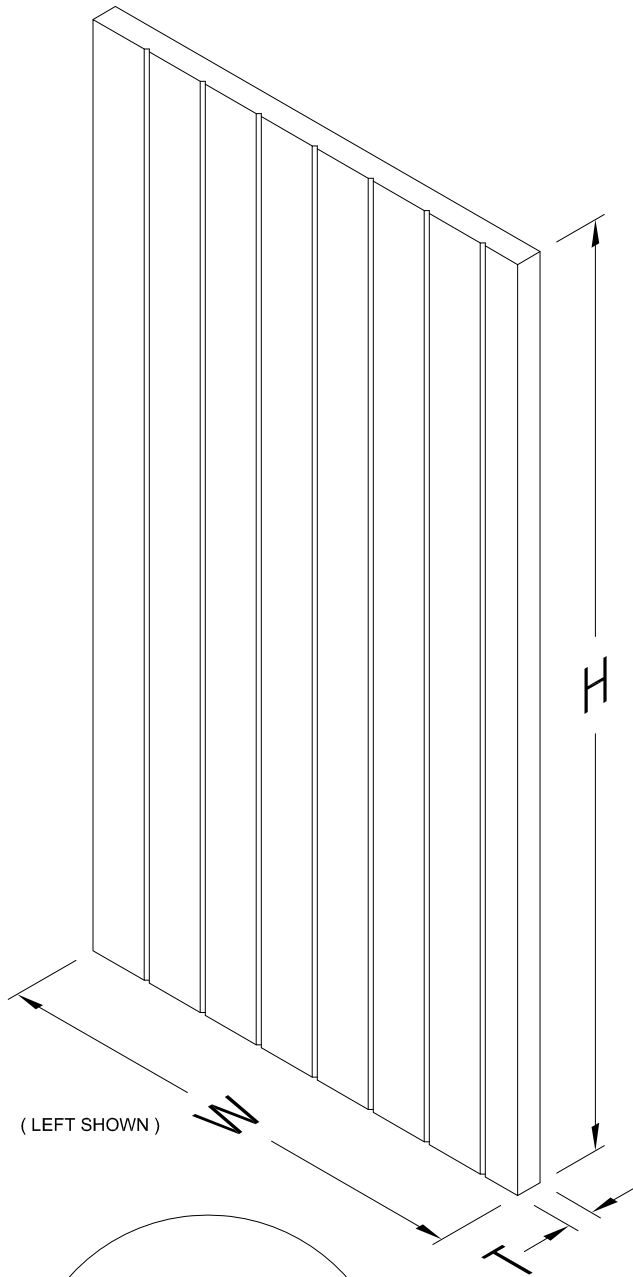
## CODE

W  
(cm)

H  
(cm)

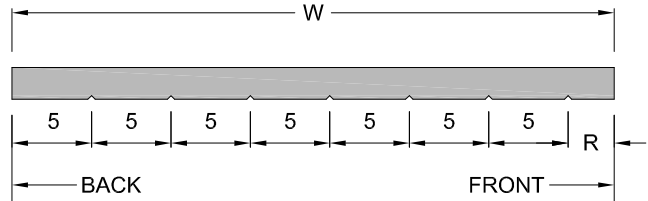
T  
(cm)

### V-GROOVE END PANEL



(LEFT SHOWN)

BASE	BGP6372	+/-63	72	2
SUSPENDED BASE	SBGP6343.2	+/-63	43.2	2
VANITY	VGP5565	+/-55.5	65	2
SUSPENDED VANITY	SVGP5543.2	+/-55.5	43.2	2
DESK	DGP5557.6	+/-55.5	57.6	2
BASE WALL	BWGP3572	+/-35.5	72	2
VANITY WALL	VWGP3565	+/-35.5	65	2
WALL	WGP3538	+/-35.5	38	2
"	WGP3551	+/-35.5	51	2
"	WGP3565	+/-35.5	65	2
"	WGP3577	+/-35.5	77	2
"	WGP3590	+/-35.5	90	2
"	WGP35104	+/-35.5	104	2
WALL TALL 35 WIDE	WTGP35124	+/-35.5	124	2
"	WTGP35137	+/-35.5	137	2
"	WTGP35151	+/-35.5	up to 155	2
WALL TALL 63 WIDE	WTGP63124	+/-63	124	2
"	WTGP63137	+/-63	137	2
"	WTGP63151	+/-63	up to 155	2
TALL 35 WIDE	TGP35200	+/-35.5	200	2
"	TGP35213	+/-35.5	213	2
"	TGP35227	+/-35.5	227	2
TALL 65 WIDE	TGP65200	65.5	200	2
"	TGP65213	65.5	213	2
"	TGP65227	65.5	227	2
TALL 244 HIGH	TGP35244	+/-35.5	244	2
"	TGP65244	65.5	244	2



$W = PT + 0.3 + CD$ ; where  
 CD = Carcase Depth and  
 PT = PROFILE THICKNESS of  
 adjacent Door Style

(R = REMAINDER)

### V-GROOVE END PANEL

2cm THICK V-GROOVE END PANEL

ALL EDGES ARE SQUARE

FINISHED ON SIDE, FRONT FACE, 15cm of RETURN  
 and EXPOSED EDGES

ALL V-GROOVES START AT THE BACK OF THE  
 PANEL AND ARE SPACED 5cm CENTER to CENTER.

PLEASE SPECIFY L or R ON ORDERS

"M1" PROFILED V-GROOVE END PANELS (FINISHED ONE SIDE)  
 "M2" PROFILED V-GROOVE END PANELS (FINISHED ONE SIDE)

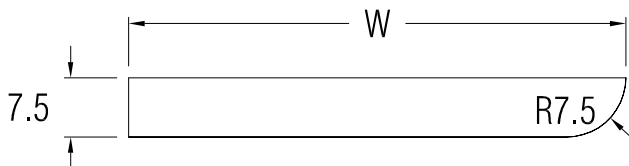


ILLUSTRATION	DESCRIPTION	PANEL TYPE	CODE	W (width) (cm)	height (cm)	thickness (cm)
<p>"M1" PROFILED FINISHED ONE SIDE</p> <p>( LEFT SHOWN )</p>	<p>"M1" FRONT EDGE PROFILED V-GROOVE END PANELS</p> <p>M1 PROFILED MOULDING APPLIED TO FRONT EDGE</p> <p>ALL OTHER EDGES ARE SQUARE</p> <p>FINISHED ON SIDE, FRONT FACE, 15cm of RETURN and EXPOSED EDGES</p> <p>ALL V-GROOVES START AT THE BACK OF THE PANEL AND ARE SPACED 5cm CENTER to CENTER.</p> <p>PLEASE SPECIFY L or R ON ORDERS</p> <p><math>W=PT+0.3+CD</math> ; where CD=Carcase Depth and PT=PROFILE THICKNESS of adjacent Door Style</p> <p>(NOTE: Specified Width does not include the Applied M1 Moulding on the Front Edge.)</p>	BASE	BGP6372-M1	+/-63	72	2
		BASE to FLOOR	BGP6387-M1	+/-63	87	2
		SUSPENDED BASE	SBGP6343.2-M1	+/-63	43.2	2
		VANITY	VGP5565-M1	+/-55.5	65	2
		VANITY to FLOOR	VGP5580-M1	+/-55.5	80	2
		SUSPENDED VANITY	SVGP5543.2-M1	+/-55.5	43.2	2
		DESK	DGP5557.6-M1	+/-55.5	57.6	2
		BASE WALL	BWGP3572-M1	+/-35.5	72	2
		VANITY WALL	VWGP3565-M1	+/-35.5	65	2
		WALL	WGP3538-M1	+/-35.5	38	2
		"	WGP3551-M1	+/-35.5	51	2
		"	WGP3565-M1	+/-35.5	65	2
		"	WGP3577-M1	+/-35.5	77	2
		"	WGP3590-M1	+/-35.5	90	2
		"	WGP35104-M1	+/-35.5	104	2
		WALL TALL 35 WIDE	WTGP35124-M1	+/-35.5	124	2
		" "	WTGP35137-M1	+/-35.5	137	2
		" "	WTGP35151-M1	+/-35.5	up to155	2
		WALL TALL 63 WIDE	WTGP63124-M1	+/-63	124	2
		" "	WTGP63137-M1	+/-63	137	2
		" "	WTGP63151-M1	+/-63	up to155	2
		TALL 35 WIDE	TGP35200-M1	+/-35.5	200	2
"	TGP35213-M1	+/-35.5	213	2		
"	TGP35227-M1	+/-35.5	227	2		
TALL 65 WIDE	TGP65200-M1	65.5	200	2		
"	TGP65213-M1	65.5	213	2		
"	TGP65227-M1	65.5	227	2		
TALL 244 HIGH	TGP35244-M1	+/-35.5	244	2		
"	TGP65244-M1	65.5	244	2		
"	TGP80244-M1	80	244	2		
<p>"M2" PROFILED FINISHED ONE SIDE</p> <p>( LEFT SHOWN )</p>	<p>"M2" FRONT EDGE PROFILED V-GROOVE END PANELS</p> <p>M2 PROFILED MOULDING APPLIED TO FRONT EDGE</p> <p>ALL OTHER EDGES ARE SQUARE</p> <p>FINISHED ON SIDE, FRONT FACE, 15cm of RETURN and EXPOSED EDGES</p> <p>ALL V-GROOVES START AT THE BACK OF THE PANEL AND ARE SPACED 5cm CENTER to CENTER.</p> <p>PLEASE SPECIFY L or R ON ORDERS</p> <p><math>W=PT+0.3+CD</math> ; where CD=Carcase Depth and PT=PROFILE THICKNESS of adjacent Door Style</p> <p>(NOTE: Specified Width does not include the Applied M2 Moulding on the Front Edge.)</p>	BASE	BGP6372-M2	+/-63	72	2
		BASE to FLOOR	BGP6387-M2	+/-63	87	2
		SUSPENDED BASE	SBGP6343.2-M2	+/-63	43.2	2
		VANITY	VGP5565-M2	+/-55.5	65	2
		VANITY to FLOOR	VGP5580-M2	+/-55.5	80	2
		SUSPENDED VANITY	SVGP5543.2-M2	+/-55.5	43.2	2
		DESK	DGP5557.6-M2	+/-55.5	57.6	2
		BASE WALL	BWGP3572-M2	+/-35.5	72	2
		VANITY WALL	VWGP3565-M2	+/-35.5	65	2
		WALL	WGP3538-M2	+/-35.5	38	2
		"	WGP3551-M2	+/-35.5	51	2
		"	WGP3565-M2	+/-35.5	65	2
		"	WGP3577-M2	+/-35.5	77	2
		"	WGP3590-M2	+/-35.5	90	2
		"	WGP35104-M2	+/-35.5	104	2
		WALL TALL 35 WIDE	WTGP35124-M2	+/-35.5	124	2
		" "	WTGP35137-M2	+/-35.5	137	2
		" "	WTGP35151-M2	+/-35.5	up to155	2
		WALL TALL 63 WIDE	WTGP63124-M2	+/-63	124	2
		" "	WTGP63137-M2	+/-63	137	2
		" "	WTGP63151-M2	+/-63	up to155	2
		TALL 35 WIDE	TGP35200-M2	+/-35.5	200	2
"	TGP35213-M2	+/-35.5	213	2		
"	TGP35227-M2	+/-35.5	227	2		
TALL 65 WIDE	TGP65200-M2	65.5	200	2		
"	TGP65213-M2	65.5	213	2		
"	TGP65227-M2	65.5	227	2		
TALL 244 HIGH	TGP35244-M2	+/-35.5	244	2		
"	TGP65244-M2	65.5	244	2		
"	TGP80244-M2	80	244	2		

# RADIUS FRONT END PANELS



ILLUSTRATION	DESCRIPTION	PANEL TYPE	CODE	W (cm)	H (cm)	T (cm)
<p>( LEFT SHOWN )</p>	RADIUS FRONT END PANEL	BASE	BPR6372	+/-63	72	7.5
	SUSPENDED BASE	SBPR6343.2	+/-63	43.2	7.5	
	VANITY	VPR5565	+/-55.5	65	7.5	
	SUSPENDED VANITY	SVPR5543.2	+/-55.5	43.2	7.5	
	DESK	DPR5557.6	+/-55.5	57.6	7.5	
	BASE WALL	BWPR3572	+/-35.5	72	7.5	
	VANITY WALL	VWPR3565	+/-35.5	65	7.5	
	WALL	WPR3538	+/-35.5	38	7.5	
	"	WPR3551	+/-35.5	51	7.5	
	"	WPR3565	+/-35.5	65	7.5	
	"	WPR3577	+/-35.5	77	7.5	
	"	WPR3590	+/-35.5	90	7.5	
	"	WPR35104	+/-35.5	104	7.5	
	WALL TALL 35 WIDE	WTPR35151	+/-35.5	up to 155	7.5	
	WALL TALL 63 WIDE	WTPR63151	+/-63	up to 155	7.5	
	TALL 35 WIDE	TPR35200	+/-35.5	200	7.5	
	"	TPR35213	+/-35.5	213	7.5	
	"	TPR35227	+/-35.5	227	7.5	
	TALL 65 WIDE	TPR65200	65.5	200	7.5	
	"	TPR65213	65.5	213	7.5	
	"	TPR65227	65.5	227	7.5	
	TALL 244 HIGH	TPR35244	+/-35.5	244	7.5	
	"	TPR65244	65.5	244	7.5	



$W = PT + 0.3 + CD$  ; where  
 CD = Carcase Depth and  
 PT = PROFILE THICKNESS of  
 adjacent Door Style

RADIUS FRONT END PANEL

7.5cm THICK RADIUS FRONT END PANEL

FINISHED ON SIDE, FRONT RADIUS FACE, 15cm of RETURN and EXPOSED EDGES

AVAILABLE IN VENEER, MDF and LPL IF MATCHING HPL IS AVAILABLE.

**NOTE:** NOT AVAILABLE IN THERMOFOIL.

PLEASE SPECIFY L or R ON ORDERS

# PENINSULA END PANELS



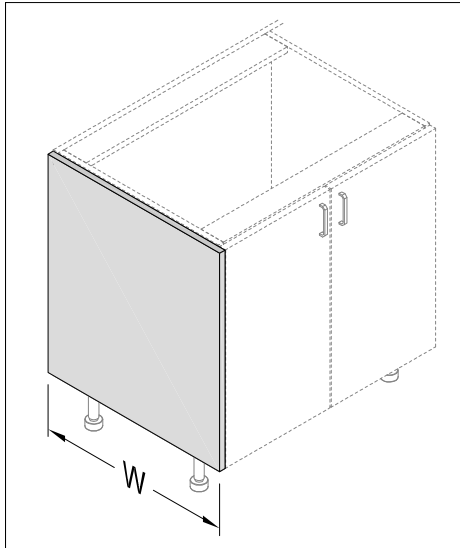
## ILLUSTRATION

## DESCRIPTION

## PANEL TYPE

## CODE

W (cm) H (cm) T (cm)



### PENINSULA BASE END PANELS

2cm THICK PENINSULA END PANELS

ALL EDGES ARE SQUARE

FINISHED ON SIDE and ALL EXPOSED AREAS and EDGES.

BASE	BMPE6572	+/-65.5	72	2
BASE to FLOOR	BMPE6587	+/-65.5	87	2
SB (Suspended Base)	SBMPE6543.2	+/-65.5	43.2	2

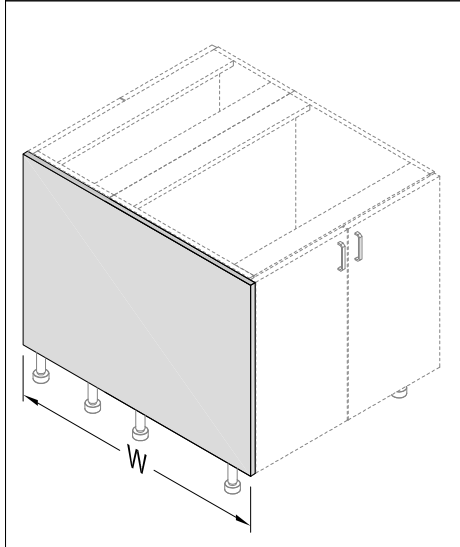
$W=(PTF+0.3+CD)+(PTB+B)$  ; where

CD=Carcase Depth

PTF=Profile Thickness of Front Door

PPB=Profile Thickness of Back Door or Panel

B=Bumper (0.3 for Bumper if used)



### PENINSULA BASE END PANELS

2cm THICK PENINSULA END PANELS

ALL EDGES ARE SQUARE

FINISHED ON SIDE and ALL EXPOSED AREAS and EDGES.

## PANEL TYPE

## CODE

W (cm) H (cm) T (cm)

BASE + BASE WALL	BWMPE9872	+/-98.5	72	2
BASE + BW (to Floor)	BWMPE9887	+/-98.5	87	2
SB + SB	BBMPE12643.2	+/-126	43.2	2
BASE + BASE	BBMPE12672	+/-126	72	2
BASE + BASE (to Floor)	BBMPE12687	+/-126	87	2

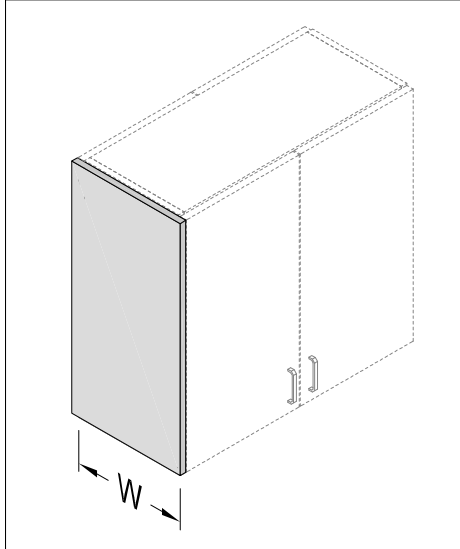
$W=(PTF+0.3+CD)+(PTB+B)$  ; where

CD=Carcase Depth (or Combined Carcase Depth)

PTF=Profile Thickness of Front Door

PPB=Profile Thickness of Back Door or Panel

B=Bumper (0.3 for Bumper if used)



### PENINSULA WALL END PANELS

2cm THICK PENINSULA END PANELS

ALL EDGES ARE SQUARE

FINISHED ON SIDE and ALL EXPOSED AREAS and EDGES.

## PANEL TYPE

## CODE

W (cm) H (cm) T (cm)

WALL	WMPE3838	+/-38	38	2
WALL	WMPE3851	+/-38	51	2
WALL	WMPE3865	+/-38	65	2
WALL	WMPE3877	+/-38	77	2
WALL	WMPE3890	+/-38	90	2
WALL	WMPE38104	+/-38	104	2

$W=(PTF+0.3+CD)+(PTB+B)$  ; where

CD=Carcase Depth

PTF=Profile Thickness of Front Door

PPB=Profile Thickness of Back Door or Panel

B=Bumper (0.3 for Bumper if used)

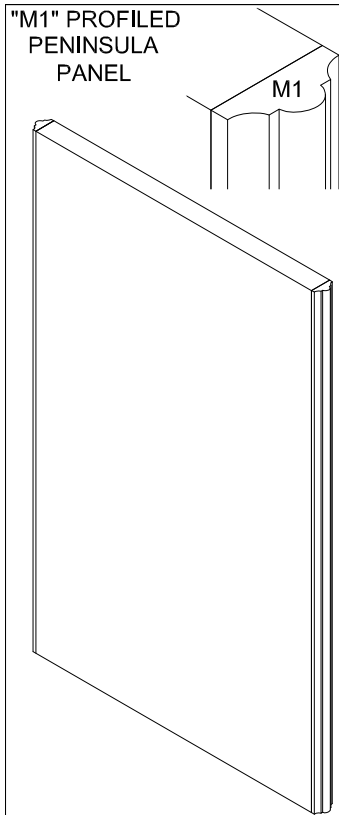
# "M1" PROFILED PENINSULA END PANELS

## "M2" PROFILED PENINSULA END PANELS



### ILLUSTRATION

### DESCRIPTION



#### "M1" EDGE PROFILED PENINSULA END PANELS

M1 PROFILED MOULDING APPLIED TO FRONT & BACK EDGES

ALL OTHER EDGES ARE SQUARE

FINISHED ONE SIDE and ALL EXPOSED AREAS or EDGES

$W=(PTF+0.3+CD)+(PTB+B)$ ; where

CD=Carcase Depth (or Combined Carcase Depth)

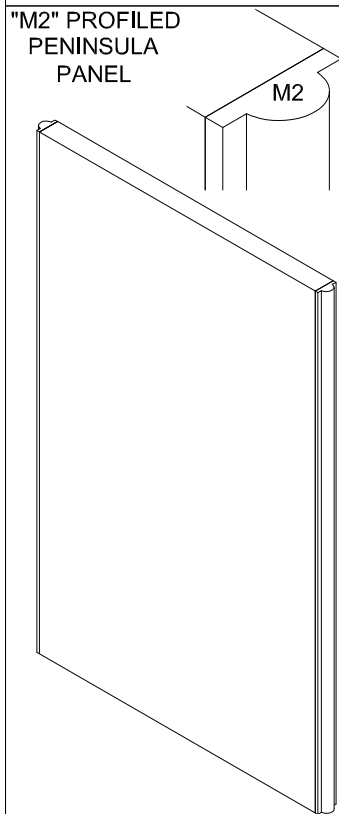
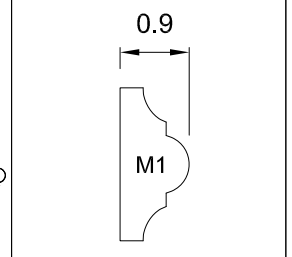
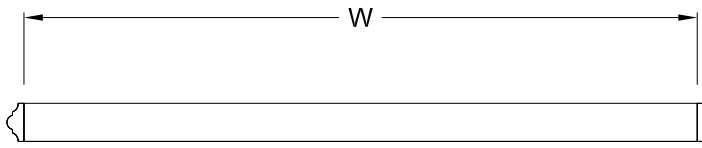
PTF=Profile Thickness of Front Door

PPB=Profile Thickness of Back Door or Panel

B=Bumper (0.3 for Bumper if used)

**NOTE:** Specified Width does not include the Applied M1 Moulding on the Front and Back Edges.

PANEL TYPE	CODE	W (width) (cm)	height (cm)	thickness (cm)
BASE	BMPE6572-M1	+/-65.5	72	2
BASE to FLOOR	BMPE6587-M1	+/-65.5	87	2
SB (Suspended Base)	SBMPE6543.2-M1	+/-65.5	43.2	2
BASE + BASE WALL	BWMPE9872-M1	+/-98.5	72	2
BASE + BW (to Floor)	BWMPE9887-M1	+/-98.5	87	2
SB + SB	BBMPE12643.2-M1	+/-126	43.2	2
BASE + BASE	BBMPE12672-M1	+/-126	72	2
BASE + BASE (to Floor)	BBMPE12687-M1	+/-126	87	2
WALL	WMPE3838-M1	+/-38	38	2
WALL	WMPE3851-M1	+/-38	51	2
WALL	WMPE3865-M1	+/-38	65	2
WALL	WMPE3877-M1	+/-38	77	2
WALL	WMPE3890-M1	+/-38	90	2
WALL	WMPE38104-M1	+/-38	104	2



#### "M2" EDGE PROFILED PENINSULA END PANELS

M2 PROFILED MOULDING APPLIED TO FRONT & BACK EDGES

ALL OTHER EDGES ARE SQUARE

FINISHED ONE SIDE and ALL EXPOSED AREAS or EDGES

$W=(PTF+0.3+CD)+(PTB+B)$ ; where

CD=Carcase Depth (or Combined Carcase Depth)

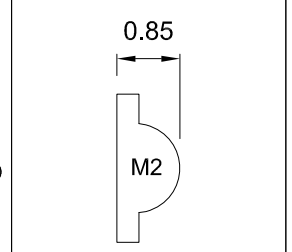
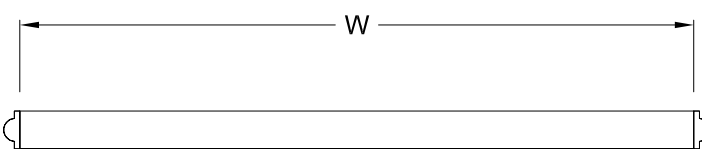
PTF=Profile Thickness of Front Door

PPB=Profile Thickness of Back Door or Panel

B=Bumper (0.3 for Bumper if used)

**NOTE:** Specified Width does not include the Applied M2 Moulding on the Front and Back Edges.

PANEL TYPE	CODE	W (width) (cm)	height (cm)	thickness (cm)
BASE	BMPE6572-M2	+/-65.5	72	2
BASE to FLOOR	BMPE6587-M2	+/-65.5	87	2
SB (Suspended Base)	SBMPE6543.2-M2	+/-65.5	43.2	2
BASE + BASE WALL	BWMPE9872-M2	+/-98.5	72	2
BASE + BW (to Floor)	BWMPE9887-M2	+/-98.5	87	2
SB + SB	BBMPE12643.2-M2	+/-126	43.2	2
BASE + BASE	BBMPE12672-M2	+/-126	72	2
BASE + BASE (to Floor)	BBMPE12687-M2	+/-126	87	2
WALL	WMPE3838-M2	+/-38	38	2
WALL	WMPE3851-M2	+/-38	51	2
WALL	WMPE3865-M2	+/-38	65	2
WALL	WMPE3877-M2	+/-38	77	2
WALL	WMPE3890-M2	+/-38	90	2
WALL	WMPE38104-M2	+/-38	104	2



# DOOR DESIGN PENINSULA END PANELS

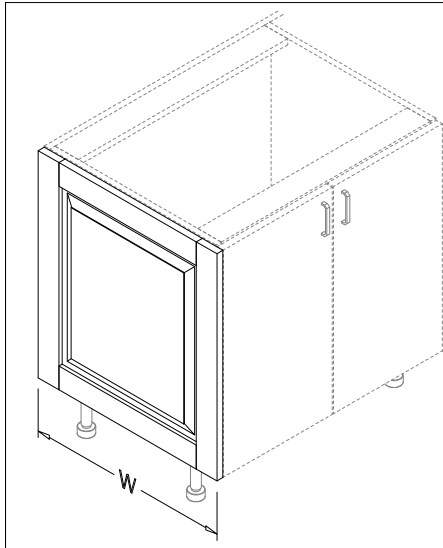


## ILLUSTRATION

## DESCRIPTION

## PANEL TYPE CODE

W (cm) H (cm) T (cm)



### DOOR DESIGN PENINSULA BASE END PANELS

UNLESS SPECIFIED ALL EXTERIOR EDGES ARE PROFILED TO MATCH DOOR STYLE.

ONLY NON-MITERED 5-PIECE DOOR DESIGN PENINSULA END PANELS CAN BE SPECIFIED WITHOUT PROFILED EDGES.

FINISHED ON ONE SIDE and ALL EXPOSED AREAS and EDGES.

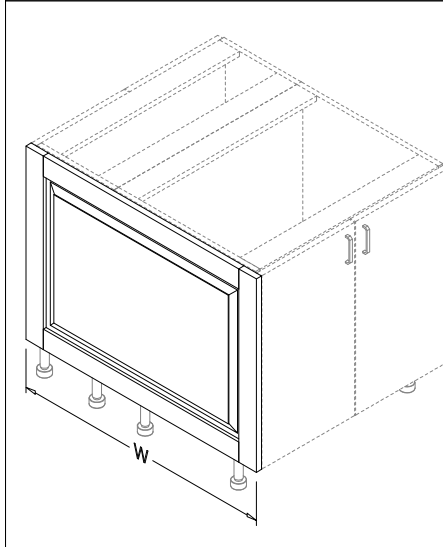
**NOTE: MITERED DOOR STYLES ARE ONLY AVAILABLE WITH PROFILED EDGES.**

BASE	BDPE6572	+/-65.5	72	DST
SB (Suspended Base)	SBDPE6543.2	+/-65.5	43.2	DST

DST = Door Style Thickness

$$W=(PTF+0.3+CD)+(PTB+B) ; \text{ where}$$

CD=Carcase Depth  
PTF=Profile Thickness of Front Door  
PPB=Profile Thickness of Back Door or Panel  
B=Bumper (0.3 for Bumper if used)



### DOOR DESIGN PENINSULA BASE END PANELS

UNLESS SPECIFIED ALL EXTERIOR EDGES ARE PROFILED TO MATCH DOOR STYLE.

ONLY NON-MITERED 5-PIECE DOOR DESIGN PENINSULA END PANELS CAN BE SPECIFIED WITHOUT PROFILED EDGES.

FINISHED ON ONE SIDE and ALL EXPOSED AREAS and EDGES.

**NOTE: MITERED DOOR STYLES ARE ONLY AVAILABLE WITH PROFILED EDGES.**

## PANEL TYPE CODE

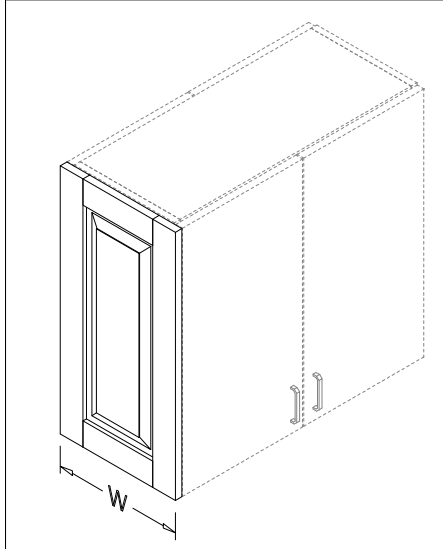
W (cm) H (cm) T (cm)

BASE + BASE WALL	BWDPE9872	+/-98.5	72	DST
SB + SB	BBDPE12643.2	+/-126	43.2	DST
BASE + BASE	BBDPE12672	+/-126	72	DST

DST = Door Style Thickness

$$W=(PTF+0.3+CD)+(PTB+B) ; \text{ where}$$

CD=Carcase Depth (or Combined Carcase Depth)  
PTF=Profile Thickness of Front Door  
PPB=Profile Thickness of Back Door or Panel  
B=Bumper (0.3 for Bumper if used)



### DOOR DESIGN PENINSULA WALL END PANELS

UNLESS SPECIFIED ALL EXTERIOR EDGES ARE PROFILED TO MATCH DOOR STYLE.

ONLY NON-MITERED 5-PIECE DOOR DESIGN PENINSULA END PANELS CAN BE SPECIFIED WITHOUT PROFILED EDGES.

FINISHED ON ONE SIDE and ALL EXPOSED AREAS and EDGES.

**NOTE: MITERED DOOR STYLES ARE ONLY AVAILABLE WITH PROFILED EDGES.**

## PANEL TYPE CODE

W (cm) H (cm) T (cm)

WALL	WDPE3838	+/-38	38	DST
WALL	WDPE3851	+/-38	51	DST
WALL	WDPE3865	+/-38	65	DST
WALL	WDPE3877	+/-38	77	DST
WALL	WDPE3890	+/-38	90	DST
WALL	WDPE38104	+/-38	104	DST

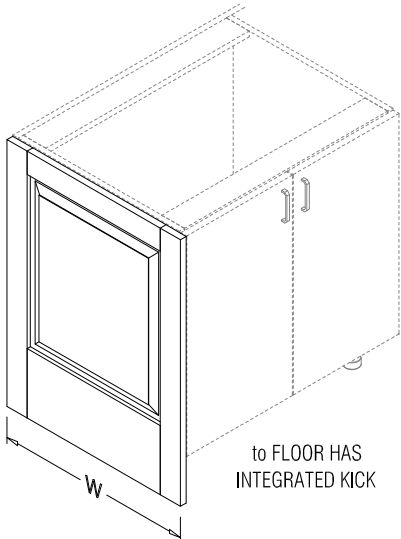
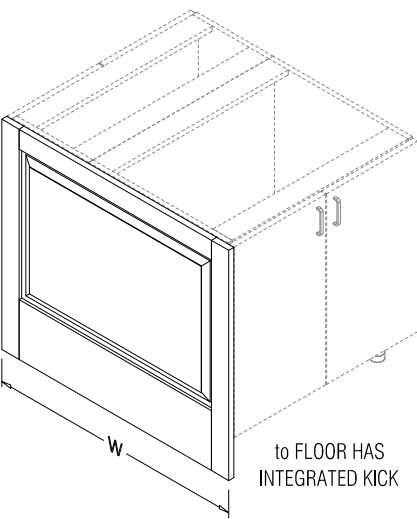
DST = Door Style Thickness

$$W=(PTF+0.3+CD)+(PTB+B) ; \text{ where}$$

CD=Carcase Depth  
PTF=Profile Thickness of Front Door  
PPB=Profile Thickness of Back Door or Panel  
B=Bumper (0.3 for Bumper if used)

# DOOR DESIGN PENINSULA END PANELS



ILLUSTRATION	DESCRIPTION	PANEL TYPE	CODE	W	H	T
				(cm)	(cm)	(cm)
	<p><u>DOOR DESIGN PENINSULA BASE END PANELS w/ INTEGRATED KICK</u></p> <p><b>NOTE: NOT AVAILABLE FOR MITERED DOOR STYLES.</b></p> <p>EXTERIOR EDGES ARE NOT PROFILED FOR DOOR DESIGN PENINSULA END PANELS WHICH HAVE INTEGRATED KICKS. SPECIFY PROFILED EDGES ON ORDER IF REQUIRED.</p> <p>FINISHED ON ONE SIDE and ALL EXPOSED AREAS and EDGES.</p>	BASE to FLOOR	BDPEIK6587	+/-65.5	87	DST
					DST = Door Style Thickness	
	<p><u>DOOR DESIGN PENINSULA BASE END PANELS w/ INTEGRATED KICK</u></p> <p><b>NOTE: NOT AVAILABLE FOR MITERED DOOR STYLES.</b></p> <p>EXTERIOR EDGES ARE NOT PROFILED FOR DOOR DESIGN PENINSULA END PANELS WHICH HAVE INTEGRATED KICKS. SPECIFY PROFILED EDGES ON ORDER IF REQUIRED.</p> <p>FINISHED ON ONE SIDE and ALL EXPOSED AREAS and EDGES.</p>	PANEL TYPE CODE		W	H	T
				(cm)	(cm)	(cm)
		BASE + BW (to Floor)	BWDPEIK9887	+/-98.5	87	DST
		BASE + BASE (to Floor)	BBDEPEIK12687	+/-126	87	DST
					DST = Door Style Thickness	
					<p>W=(PTF+0.3+CD)+(PTB+B); where</p> <p>CD=Carcase Depth (or Combined Carcase Depth)</p> <p>PTF=Profile Thickness of Front Door</p> <p>PPB=Profile Thickness of Back Door or Panel</p> <p>B=Bumper (0.3 for Bumper if used)</p>	

# V-GROOVE PENINSULA END PANELS



## ILLUSTRATION

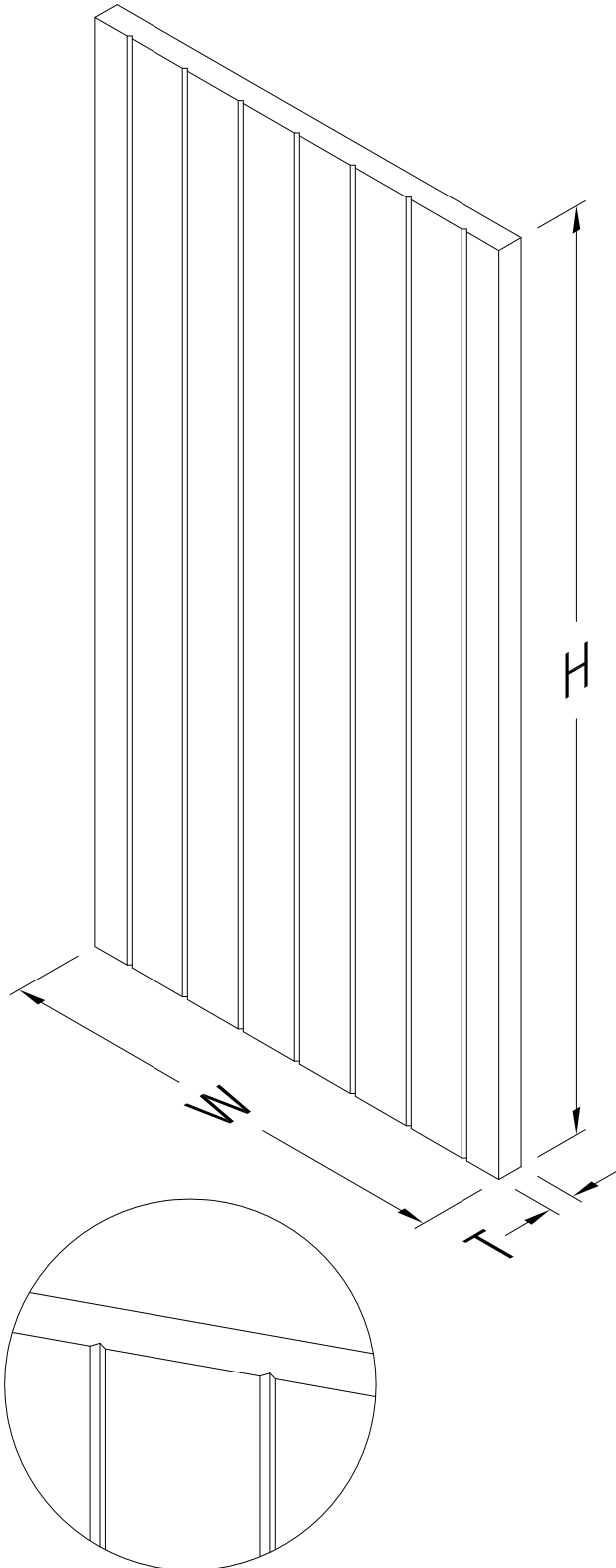
## DESCRIPTION

## PANEL TYPE

## CODE

W (width) (cm) height (cm) thickness (cm)

V-GROOVE PENINSULA END PANEL



BASE	BGPE6572	+/-65.5	72	2
BASE to FLOOR	BGPE6587	+/-65.5	87	2
SB (Suspended Base)	SBGPE6543.2	+/-65.5	43.2	2
BASE + BASE WALL	BWGPE9872	+/-98.5	72	2
BASE + BW (to Floor)	BWGPE9887	+/-98.5	87	2
SB + SB	BBGPE12643.2	+/-126	43.2	2
BASE + BASE	BBGPE12672	+/-126	72	2
BASE + BASE (to Floor)	BBGPE12687	+/-126	87	2
WALL	WGPE3838	+/-38	38	2
WALL	WGPE3851	+/-38	51	2
WALL	WGPE3865	+/-38	65	2
WALL	WGPE3877	+/-38	77	2
WALL	WGPE3890	+/-38	90	2
WALL	WGPE38104	+/-38	104	2

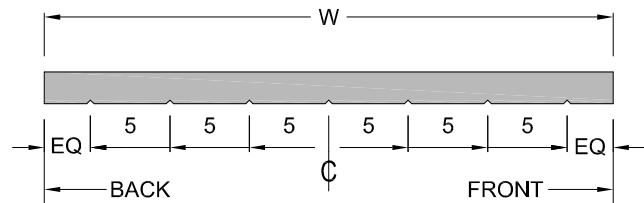
### V-GROOVE PENINSULA END PANEL

2cm THICK V-GROOVE PENINSULA END PANEL

ALL EDGES ARE SQUARE

FINISHED ONE SIDE and ALL EXPOSED AREAS or EDGES

ALL V-GROOVES START AT THE CENTER OF THE PANEL AND ARE SPACED 5cm CENTER to CENTER.



$W = (PTF + 0.3 + CD) + (PTB + B)$ ; where

CD = Carcase Depth (or Combined Carcase Depth)

PTF = Profile Thickness of Front Door

PTB = Profile Thickness of Back Door or Panel

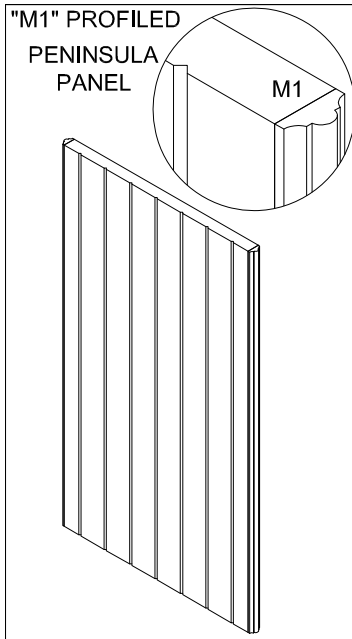
B = Bumper (0.3 for Bumper if used)

"M1" PROFILED V-GROOVE PENINSULA END PANELS  
 "M2" PROFILED V-GROOVE PENINSULA END PANELS



ILLUSTRATION

DESCRIPTION



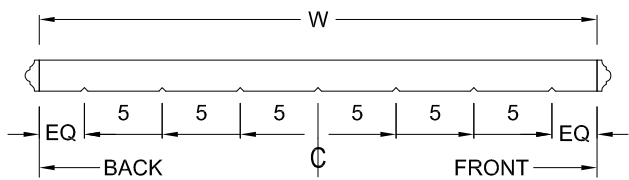
**"M1" EDGE PROFILED V-GROOVE PENINSULA END PANELS**

M1 PROFILED MOULDING APPLIED TO FRONT and BACK EDGES

ALL OTHER EDGES ARE SQUARE

FINISHED ON SIDE and ALL EXPOSED AREAS or EDGES.

ALL V-GROOVES START AT THE CENTER OF THE PANEL AND ARE SPACED 5cm CENTER to CENTER.

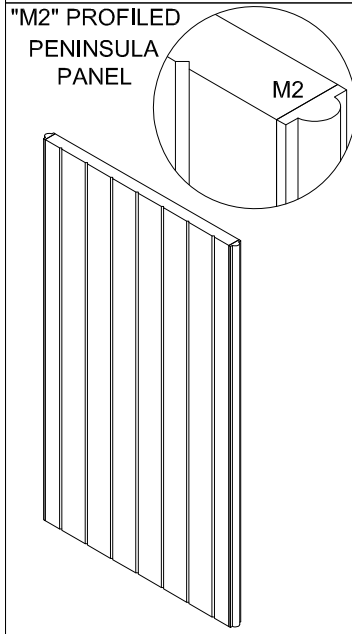


PANEL TYPE	CODE	W (width) (cm)	height (cm)	thickness (cm)
BASE	BGPE6572-M1	+/-65.5	72	2
BASE to FLOOR	BGPE6587-M1	+/-65.5	87	2
SB (Suspended Base)	SBGPE6543.2-M1	+/-65.5	43.2	2
BASE + BASE WALL	BWGPE9872-M1	+/-98.5	72	2
BASE + BW (to Floor)	BWGPE9887-M1	+/-98.5	87	2
SB + SB	BBGPE12643.2-M1	+/-126	43.2	2
BASE + BASE	BBGPE12672-M1	+/-126	72	2
BASE + BASE (to Floor)	BBGPE12687-M1	+/-126	87	2
WALL	WGPE3838-M1	+/-38	38	2
WALL	WGPE3851-M1	+/-38	51	2
WALL	WGPE3865-M1	+/-38	65	2
WALL	WGPE3877-M1	+/-38	77	2
WALL	WGPE3890-M1	+/-38	90	2
WALL	WGPE38104-M1	+/-38	104	2

$W=(PTF+0.3+CD)+(PTB+B)$ ; where

CD=Carcase Depth (or Combined Carcase Depth)  
 PTF=Profile Thickness of Front Door  
 PPB=Profile Thickness of Back Door or Panel  
 B=Bumper (0.3 for Bumper if used)

**NOTE:** Specified Width does not include the Applied M1 Moulding on the Front and Back Edges.



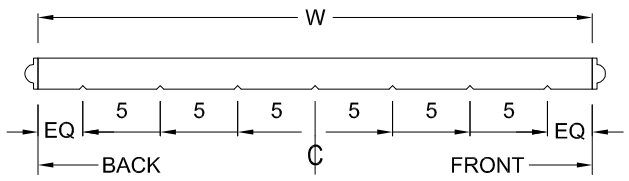
**"M2" EDGE PROFILED V-GROOVE PENINSULA END PANELS**

M2 PROFILED MOULDING APPLIED TO FRONT and BACK EDGES

ALL OTHER EDGES ARE SQUARE

FINISHED ON SIDE and ALL EXPOSED AREAS or EDGES.

ALL V-GROOVES START AT THE CENTER OF THE PANEL AND ARE SPACED 5cm CENTER to CENTER.



PANEL TYPE	CODE	W (width) (cm)	height (cm)	thickness (cm)
BASE	BGPE6572-M2	+/-65.5	72	2
BASE to FLOOR	BGPE6587-M2	+/-65.5	87	2
SB (Suspended Base)	SBGPE6543.2-M2	+/-65.5	43.2	2
BASE + BASE WALL	BWGPE9872-M2	+/-98.5	72	2
BASE + BW (to Floor)	BWGPE9887-M2	+/-98.5	87	2
SB + SB	BBGPE12643.2-M2	+/-126	43.2	2
BASE + BASE	BBGPE12672-M2	+/-126	72	2
BASE + BASE (to Floor)	BBGPE12687-M2	+/-126	87	2
WALL	WGPE3838-M2	+/-38	38	2
WALL	WGPE3851-M2	+/-38	51	2
WALL	WGPE3865-M2	+/-38	65	2
WALL	WGPE3877-M2	+/-38	77	2
WALL	WGPE3890-M2	+/-38	90	2
WALL	WGPE38104-M2	+/-38	104	2

$W=(PTF+0.3+CD)+(PTB+B)$ ; where

CD=Carcase Depth (or Combined Carcase Depth)  
 PTF=Profile Thickness of Front Door  
 PPB=Profile Thickness of Back Door or Panel  
 B=Bumper (0.3 for Bumper if used)

**NOTE:** Specified Width does not include the Applied M2 Moulding on the Front and Back Edges.

# RADIUS CORNERED PENINSULA END PANELS



ILLUSTRATION	DESCRIPTION	PANEL TYPE	CODE	W (width) (cm)	height (cm)	thickness (cm)	
	RADIUS CORNERED PENINSULA END PANEL	BASE	BPER6572	+/-65.5	72	7.5	
		BASE to FLOOR	BPER6587	+/-65.5	87	7.5	
		SB (Suspended Base)	SBPER6543.2	+/-65.5	43.2	7.5	
		BASE + BASE WALL	BWPER9872	+/-98.5	72	7.5	
		BASE + BW (to Floor)	BWPER9887	+/-98.5	87	7.5	
		SB + SB	BBPER12643.2	+/-126	43.2	7.5	
		BASE + BASE	BBPER12672	+/-126	72	7.5	
		BASE + BASE (to Floor)	BBPER12687	+/-126	87	7.5	
		WALL	WPER3838	+/-38	38	7.5	
		WALL	WPER3851	+/-38	51	7.5	
		WALL	WPER3865	+/-38	65	7.5	
		WALL	WPER3877	+/-38	77	7.5	
		WALL	WPER3890	+/-38	90	7.5	
		WALL	WPER38104	+/-38	104	7.5	
		$W=(PTF+0.3+CD)+(PTB+B)$ ; where CD=Carcase Depth (or Combined Carcase Depth) PTF=Profile Thickness of Front Door PPB=Profile Thickness of Back Door or Panel B=Bumper (0.3 for Bumper if used)					

## RADIUS CORNERED PENINSULA END PANEL

7.5cm THICK RADIUS CORNERED PENINSULA END PANEL

FINISHED ON SIDE, BOTH RADIUS EDGES and ALL EXPOSED AREAS AND EDGES

AVAILABLE IN VENEER, MDF and LPL IF MATCHING HPL IS AVAILABLE.

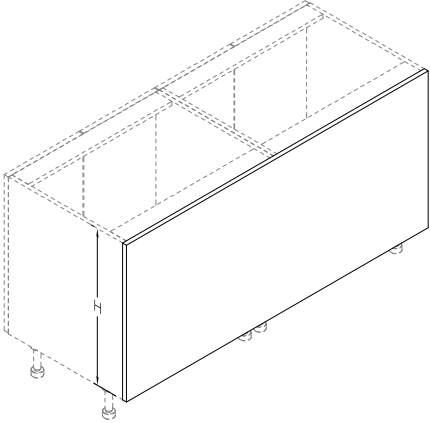
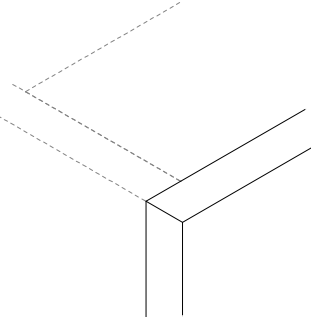
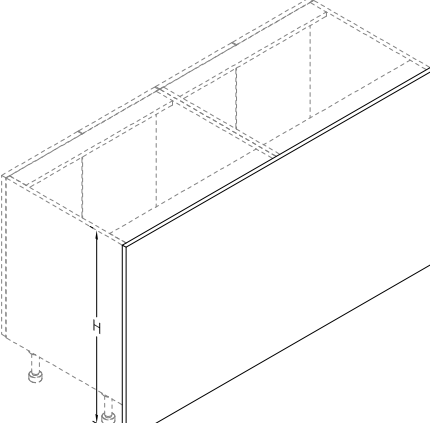
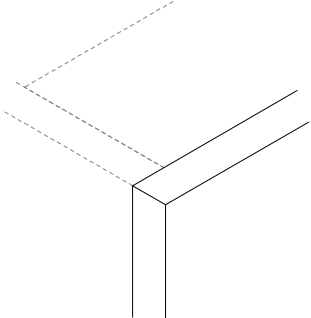
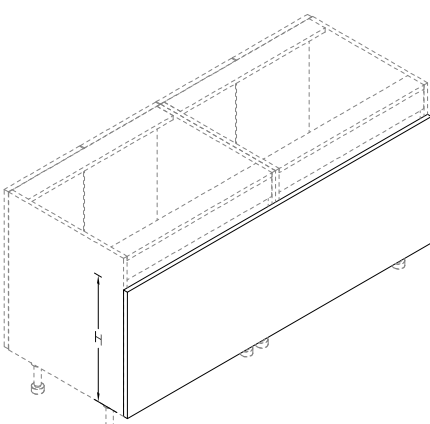
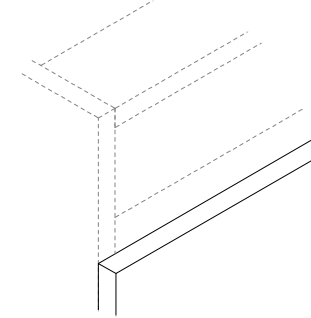
**NOTE:** NOT AVAILABLE IN THERMOFOIL.

# PENINSULA BACK PANELS



## ILLUSTRATION

## DESCRIPTION

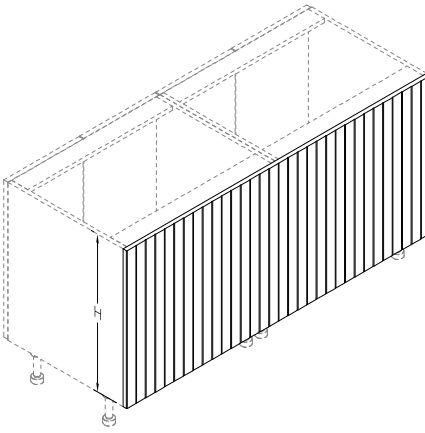
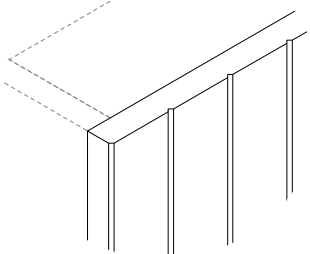
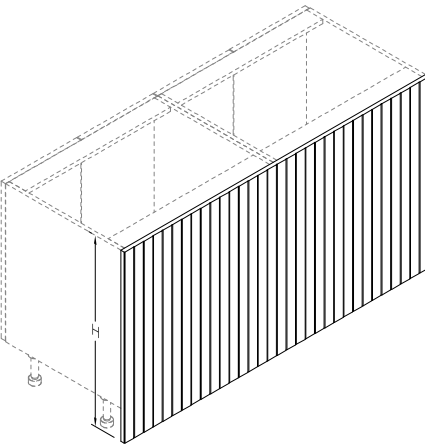
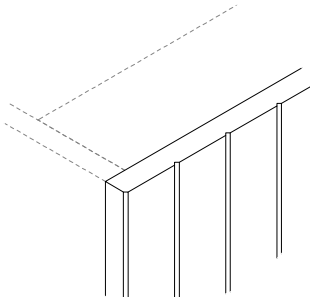
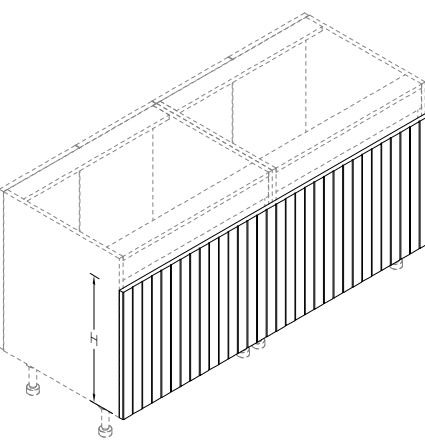
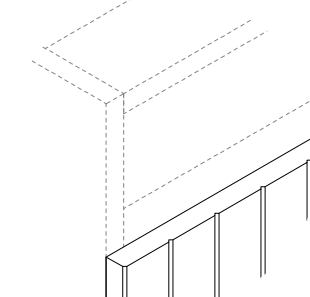
<p>BPB72</p> 	<p><u>PENINSULA BACK PANEL</u></p> <p>FRONT FACE IS FINISHED. ALL EDGES ARE SQUARE AND ARE UNFINISHED. FINISHED EDGES ARE AN UPCHARGE.</p> <p>PRICED per LINEAR METRE.</p> <p>244cm MAXIMUM LENGTH</p> 	<table border="1"> <thead> <tr> <th>PANEL TYPE</th> <th>CODE</th> <th>W (cm)</th> <th>H (cm)</th> <th>T (cm)</th> </tr> </thead> <tbody> <tr> <td>BASE</td> <td>BPB72</td> <td>specify</td> <td>72</td> <td>2</td> </tr> </tbody> </table>	PANEL TYPE	CODE	W (cm)	H (cm)	T (cm)	BASE	BPB72	specify	72	2															
PANEL TYPE	CODE	W (cm)	H (cm)	T (cm)																							
BASE	BPB72	specify	72	2																							
<p>BPB87</p> 	<p><u>PENINSULA BACK PANEL</u></p> <p>FRONT FACE IS FINISHED. ALL EDGES ARE SQUARE AND ARE UNFINISHED. FINISHED EDGES ARE AN UPCHARGE.</p> <p>PRICED per LINEAR METRE.</p> <p>244cm MAXIMUM LENGTH</p> 	<table border="1"> <thead> <tr> <th>PANEL TYPE</th> <th>CODE</th> <th>W (cm)</th> <th>H (cm)</th> <th>T (cm)</th> </tr> </thead> <tbody> <tr> <td>BASE to FLOOR</td> <td>BPB87</td> <td>specify</td> <td>87</td> <td>2</td> </tr> <tr> <td>BAR HEIGHT "A" to FLOOR</td> <td>BPB91</td> <td>specify</td> <td>91</td> <td>2</td> </tr> <tr> <td>BAR HEIGHT "B" to FLOOR</td> <td>BPB107</td> <td>specify</td> <td>107</td> <td>2</td> </tr> <tr> <td>BAR HEIGHT "C" to FLOOR</td> <td>BPB122</td> <td>specify</td> <td>122</td> <td>2</td> </tr> </tbody> </table>	PANEL TYPE	CODE	W (cm)	H (cm)	T (cm)	BASE to FLOOR	BPB87	specify	87	2	BAR HEIGHT "A" to FLOOR	BPB91	specify	91	2	BAR HEIGHT "B" to FLOOR	BPB107	specify	107	2	BAR HEIGHT "C" to FLOOR	BPB122	specify	122	2
PANEL TYPE	CODE	W (cm)	H (cm)	T (cm)																							
BASE to FLOOR	BPB87	specify	87	2																							
BAR HEIGHT "A" to FLOOR	BPB91	specify	91	2																							
BAR HEIGHT "B" to FLOOR	BPB107	specify	107	2																							
BAR HEIGHT "C" to FLOOR	BPB122	specify	122	2																							
<p>BPB58</p> 	<p><u>PENINSULA BACK PANEL</u></p> <p>FRONT FACE IS FINISHED. ALL EDGES ARE SQUARE AND ARE UNFINISHED. FINISHED EDGES ARE AN UPCHARGE.</p> <p>PRICED per LINEAR METRE.</p> <p>244cm MAXIMUM LENGTH</p> 	<table border="1"> <thead> <tr> <th>PANEL TYPE</th> <th>CODE</th> <th>W (cm)</th> <th>H (cm)</th> <th>T (cm)</th> </tr> </thead> <tbody> <tr> <td>BASE (w/ Drw. Frt. above)</td> <td>BPB58</td> <td>specify</td> <td>58</td> <td>2</td> </tr> </tbody> </table>	PANEL TYPE	CODE	W (cm)	H (cm)	T (cm)	BASE (w/ Drw. Frt. above)	BPB58	specify	58	2															
PANEL TYPE	CODE	W (cm)	H (cm)	T (cm)																							
BASE (w/ Drw. Frt. above)	BPB58	specify	58	2																							

# V-GROOVED PENINSULA BACK PANELS



## ILLUSTRATION

## DESCRIPTION

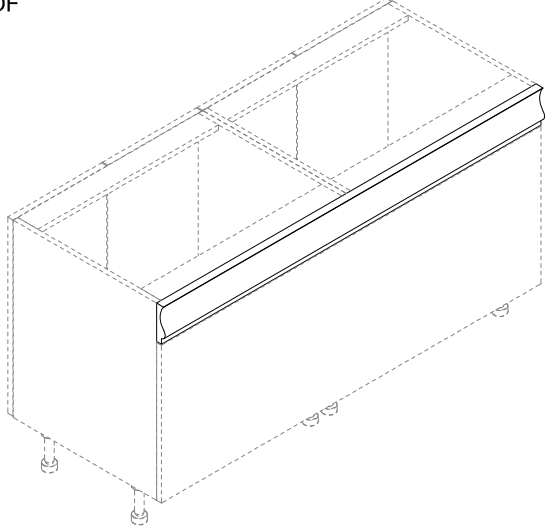
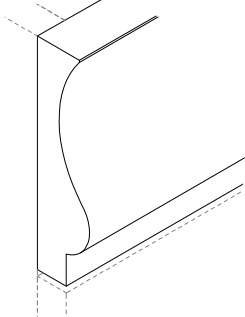
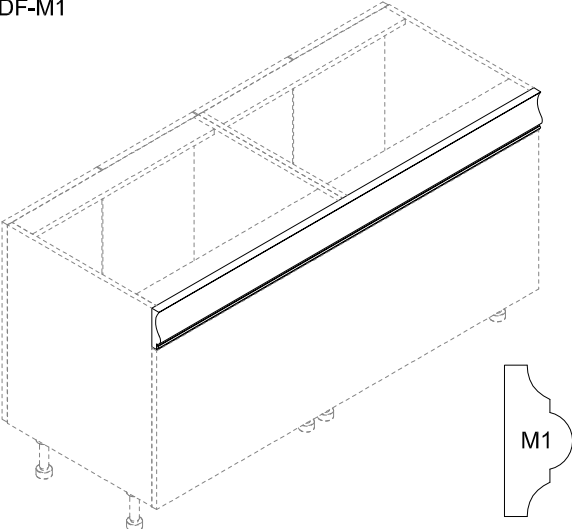
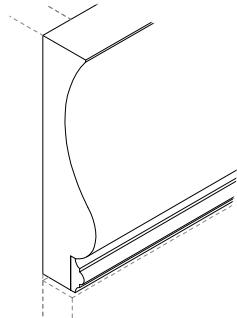
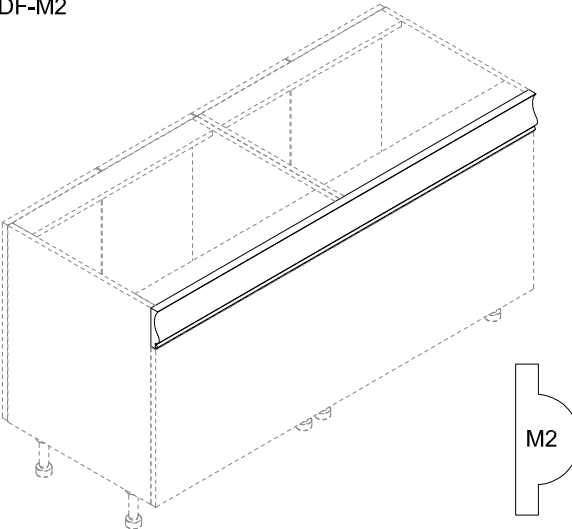
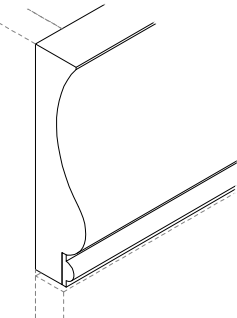
BGPB72	V- GROOVED PENINSULA BACK PANEL	PANEL TYPE CODE	W (cm)	H (cm)	T (cm)																									
	<p>FRONT FACE IS FINISHED. ALL EDGES ARE SQUARE AND ARE UNFINISHED. FINISHED EDGES ARE AN UPCHARGE.</p> <p>V-GROOVES START AT THE CENTER OF PANEL. SPACED EVERY 5cm. PRICED per LINEAR METRE. 244cm MAXIMUM LENGTH</p> 	<table border="1"> <tr> <td data-bbox="943 331 1161 388">BASE</td> <td data-bbox="1166 331 1291 388">BGPB72</td> <td data-bbox="1299 331 1372 388">specify</td> <td data-bbox="1380 331 1421 388">72</td> <td data-bbox="1437 331 1477 388">2</td> </tr> </table>	BASE	BGPB72	specify	72	2																							
BASE	BGPB72	specify	72	2																										
	<p>FRONT FACE IS FINISHED. ALL EDGES ARE SQUARE AND ARE UNFINISHED. FINISHED EDGES ARE AN UPCHARGE.</p> <p>V-GROOVES START AT THE CENTER OF PANEL. SPACED EVERY 5cm. PRICED per LINEAR METRE. 244cm MAXIMUM LENGTH</p> 	<table border="1"> <tr> <th data-bbox="943 842 1161 898">PANEL TYPE</th> <th data-bbox="1166 842 1291 898">CODE</th> <th data-bbox="1299 842 1356 898">W (cm)</th> <th data-bbox="1372 842 1421 898">H (cm)</th> <th data-bbox="1437 842 1477 898">T (cm)</th> </tr> <tr> <td data-bbox="943 898 1161 934">BASE to FLOOR</td> <td data-bbox="1166 898 1291 934">BGPB87</td> <td data-bbox="1299 898 1356 934">specify</td> <td data-bbox="1380 898 1421 934">87</td> <td data-bbox="1437 898 1477 934">2</td> </tr> <tr> <td data-bbox="943 934 1161 970">BAR HEIGHT "A" to FLOOR</td> <td data-bbox="1166 934 1291 970">BGPB91</td> <td data-bbox="1299 934 1356 970">specify</td> <td data-bbox="1380 934 1421 970">91</td> <td data-bbox="1437 934 1477 970">2</td> </tr> <tr> <td data-bbox="943 970 1161 1005">BAR HEIGHT "B" to FLOOR</td> <td data-bbox="1166 970 1291 1005">BGPB107</td> <td data-bbox="1299 970 1356 1005">specify</td> <td data-bbox="1380 970 1421 1005">107</td> <td data-bbox="1437 970 1477 1005">2</td> </tr> <tr> <td data-bbox="943 1005 1161 1041">BAR HEIGHT "C" to FLOOR</td> <td data-bbox="1166 1005 1291 1041">BGPB122</td> <td data-bbox="1299 1005 1356 1041">specify</td> <td data-bbox="1380 1005 1421 1041">122</td> <td data-bbox="1437 1005 1477 1041">2</td> </tr> </table>	PANEL TYPE	CODE	W (cm)	H (cm)	T (cm)	BASE to FLOOR	BGPB87	specify	87	2	BAR HEIGHT "A" to FLOOR	BGPB91	specify	91	2	BAR HEIGHT "B" to FLOOR	BGPB107	specify	107	2	BAR HEIGHT "C" to FLOOR	BGPB122	specify	122	2			
PANEL TYPE	CODE	W (cm)	H (cm)	T (cm)																										
BASE to FLOOR	BGPB87	specify	87	2																										
BAR HEIGHT "A" to FLOOR	BGPB91	specify	91	2																										
BAR HEIGHT "B" to FLOOR	BGPB107	specify	107	2																										
BAR HEIGHT "C" to FLOOR	BGPB122	specify	122	2																										
	<p>FRONT FACE IS FINISHED. ALL EDGES ARE SQUARE AND ARE UNFINISHED. FINISHED EDGES ARE AN UPCHARGE.</p> <p>V-GROOVES START AT THE CENTER OF PANEL. SPACED EVERY 5cm. PRICED per LINEAR METRE. 244cm MAXIMUM LENGTH</p> 	<table border="1"> <tr> <th data-bbox="943 1392 1161 1449">PANEL TYPE</th> <th data-bbox="1166 1392 1291 1449">CODE</th> <th data-bbox="1299 1392 1356 1449">W (cm)</th> <th data-bbox="1372 1392 1421 1449">H (cm)</th> <th data-bbox="1437 1392 1477 1449">T (cm)</th> </tr> <tr> <td data-bbox="943 1449 1161 1491">BASE (w/ Drw. Frt. above)</td> <td data-bbox="1166 1449 1291 1491">BGPB58</td> <td data-bbox="1299 1449 1356 1491">specify</td> <td data-bbox="1380 1449 1421 1491">58</td> <td data-bbox="1437 1449 1477 1491">2</td> </tr> </table>	PANEL TYPE	CODE	W (cm)	H (cm)	T (cm)	BASE (w/ Drw. Frt. above)	BGPB58	specify	58	2																		
PANEL TYPE	CODE	W (cm)	H (cm)	T (cm)																										
BASE (w/ Drw. Frt. above)	BGPB58	specify	58	2																										

# SCULPTED FRONT FOR PENINSULA BACK



## ILLUSTRATION

## DESCRIPTION

<p><b>BPSDF</b></p> 	<p><u>BPSDF - BACK PANEL SCULPTED DRAWER FRONT</u></p> <p>PRICED per LINEAR METRE.</p> <p>244cm MAXIMUM LENGTH</p> <p>FINISHED ON FRONT and ALL EXPOSED AREAS and EDGES.</p> 	<table border="1"> <thead> <tr> <th>CODE</th> <th>W (cm)</th> <th>H (cm)</th> <th>T (cm)</th> </tr> </thead> <tbody> <tr> <td>BPSDF</td> <td>specify</td> <td>14</td> <td>3.6</td> </tr> </tbody> </table>	CODE	W (cm)	H (cm)	T (cm)	BPSDF	specify	14	3.6
CODE	W (cm)	H (cm)	T (cm)							
BPSDF	specify	14	3.6							
<p><b>BPSDF-M1</b></p>  <p style="text-align: right;">M1</p>	<p><u>BPSDF-M1 - BACK PANEL SCULPTED DRAWER FRONT w/ M1</u></p> <p>PRICED per LINEAR METRE.</p> <p>244cm MAXIMUM LENGTH</p> <p>FINISHED ON FRONT and ALL EXPOSED AREAS and EDGES.</p> 	<table border="1"> <thead> <tr> <th>CODE</th> <th>W (cm)</th> <th>H (cm)</th> <th>T (cm)</th> </tr> </thead> <tbody> <tr> <td>BPSDF-M1</td> <td>specify</td> <td>14</td> <td>3.6</td> </tr> </tbody> </table>	CODE	W (cm)	H (cm)	T (cm)	BPSDF-M1	specify	14	3.6
CODE	W (cm)	H (cm)	T (cm)							
BPSDF-M1	specify	14	3.6							
<p><b>BPSDF-M2</b></p>  <p style="text-align: right;">M2</p>	<p><u>BPSDF-M2 - BACK PANEL SCULPTED DRAWER FRONT w/ M2</u></p> <p>PRICED per LINEAR METRE.</p> <p>244cm MAXIMUM LENGTH</p> <p>FINISHED ON FRONT and ALL EXPOSED AREAS and EDGES.</p> 	<table border="1"> <thead> <tr> <th>CODE</th> <th>W (cm)</th> <th>H (cm)</th> <th>T (cm)</th> </tr> </thead> <tbody> <tr> <td>BPSDF-M2</td> <td>specify</td> <td>14</td> <td>3.6</td> </tr> </tbody> </table>	CODE	W (cm)	H (cm)	T (cm)	BPSDF-M2	specify	14	3.6
CODE	W (cm)	H (cm)	T (cm)							
BPSDF-M2	specify	14	3.6							

# MULTIPLE DOOR DESIGN PANELS

(for PENINSULA and ISLAND APPLICATIONS)



## ILLUSTRATION

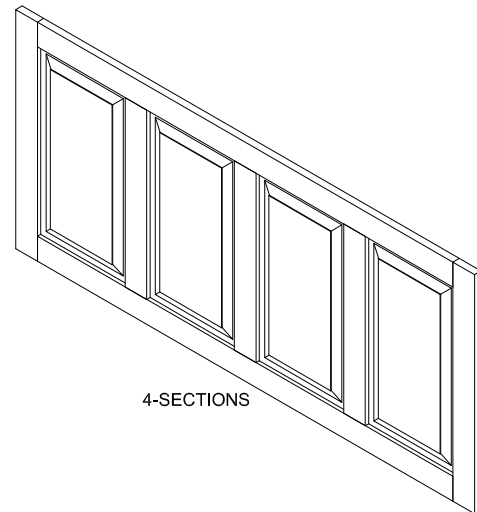
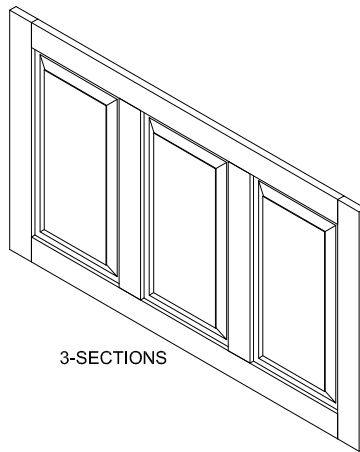
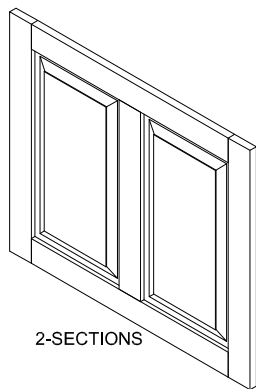
### MULTIPLE DOOR DESIGN PANELS BUILT AS ONE PIECE

COMMONLY USED FOR PENINSULA and ISLAND BACKS  
FINISHED ONE SIDE, 15cm RETURNS and EXPOSED EDGES.

**EXTERIOR EDGES ARE PROFILED** FOR MULTIPLE DOOR DESIGN PANELS WHICH **DO NOT HAVE INTEGRATED KICKS**. IF PROFILED EDGES ARE NOT REQUIRED PLEASE SPECIFY.

FOR PRICING or QUOTE PLEASE CONTACT THE FACTORY. TO OBTAIN PRICING PLEASE PROVIDE THE FACTORY WITH DOOR STYLE, SPECIES, COLOUR, FINISH, OVERALL DIMENSIONS AND THE NUMBER OF SECTIONS REQUIRED.

**NOTE: NOT AVAILABLE FOR MITERED DOOR STYLES.**



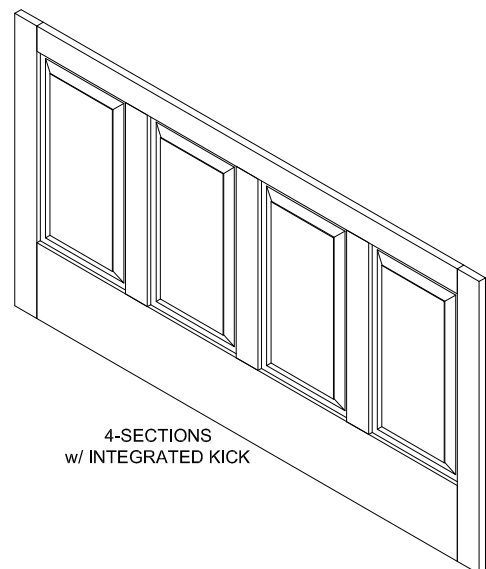
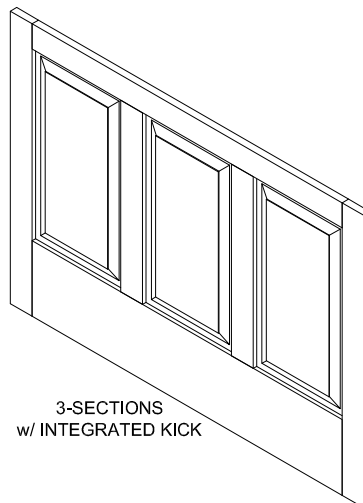
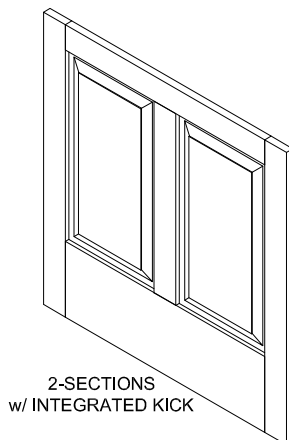
### MULTIPLE DOOR DESIGN PANELS BUILT AS ONE PIECE with INTEGRATED KICK

COMMONLY USED FOR PENINSULA and ISLAND BACKS  
FINISHED ONE SIDE, 15cm RETURNS and EXPOSED EDGES.

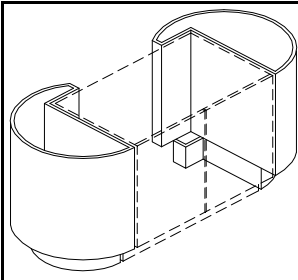
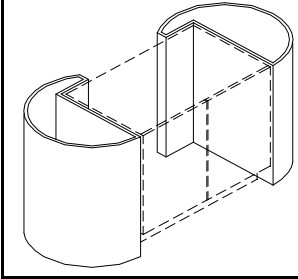
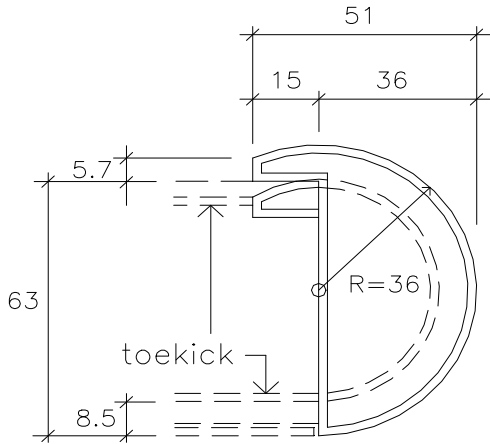
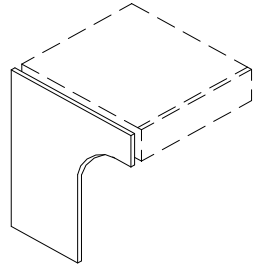
EXTERIOR EDGES **ARE NOT PROFILED** FOR MULTIPLE DOOR DESIGN PANELS **WHICH HAVE INTEGRATED KICKS**. SPECIFY PROFILED EDGES ON ORDER IF REQUIRED.

FOR PRICING or QUOTE PLEASE CONTACT THE FACTORY. TO OBTAIN PRICING PLEASE PROVIDE THE FACTORY WITH DOOR STYLE, SPECIES, COLOUR, FINISH, OVERALL DIMENSIONS AND THE NUMBER OF SECTIONS REQUIRED.

**NOTE: NOT AVAILABLE FOR MITERED DOOR STYLES.**



# RADIUS END CYLINDERS and DESK END SUPPORT PANELS

illustration	description	cube	cm	inches	code
	<p>36cm Radius End Cylinders, 87cm high. Complete With 15cm high Toekick</p> <p>Sold Per Pair See Drawing Below</p>	30	72	28 3/8	REC7072
	<p>36cm Radius End Cylinders 87cm high.</p> <p>Sold Per Pair See Drawing Below</p>	30	72	28 3/8	REC7087
					
	<p>Desk End Panel w/ Radius Cut away Finished Two Sides and Exposed Edges</p> <p>76.2cm High x 55.5cm Deep 80cm High x 55.5cm Deep</p>	1	2	3/4	DEDP76.2
		1	2	3/4	DEDP80

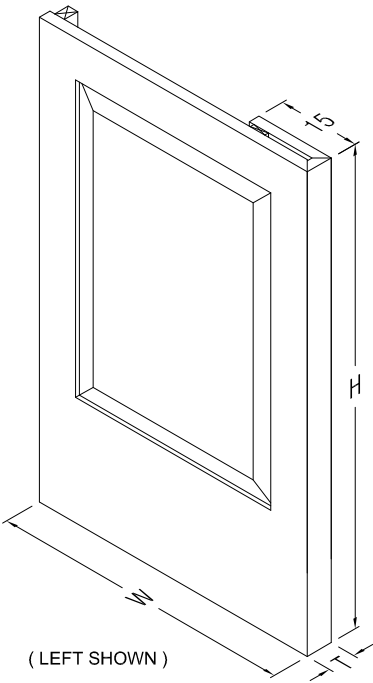
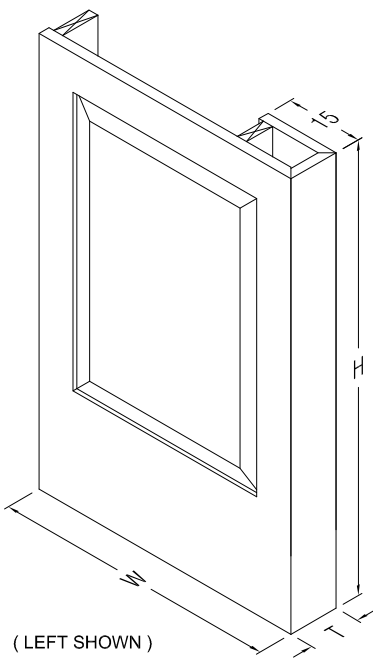
5cm THICK "J" DOOR DESIGN END PANELS  
 10cm THICK "J" DOOR DESIGN END PANELS



ILLUSTRATION	DESCRIPTION	PANEL TYPE	CODE	W (cm)	H (cm)	T (cm)
<p>5cm THICK "J" DOOR DESIGN END PANEL</p> <p>( LEFT SHOWN )</p> <p>**** NOT AVAILABLE for MITRED DOORS ****</p>	<p>5cm THICK "J" DOOR DESIGN END PANEL</p> <p>5cm THICK "J" DOOR DESIGN END PANEL w/ 15cm RETURN.</p> <p>**** NOT AVAILABLE for MITRED DOORS ****</p> <p>FACTORY ASSEMBLED MITERS</p> <p>ALL EDGES ARE SQUARE</p> <p>FINISHED ON SIDE, FRONT FACE, 15cm RETURN and EXPOSED EDGES</p> <p>PLEASE SPECIFY L or R ON ORDERS</p> <p>W=PT+0.3+CD ; where                      CD=Carcase Depth and                      PT=PROFILE THICKNESS of adjacent Door Style</p>	BASE	BJDDEP6372-5	+/-63	72	5
		SUSPENDED BASE	SBJDDEP6343.2-5	+/-63	43.2	5
		VANITY	VJDDEP5565-5	+/-55.5	65	5
		SUSPENDED VANITY	SVJDDEP5543.2-5	+/-55.5	43.2	5
		DESK	DJDDEP5557.6-5	+/-55.5	57.6	5
		BASE WALL	BWJDDEP3572-5	+/-35.5	72	5
		VANITY WALL	VWJDDEP3565-5	+/-35.5	65	5
		WALL	WJDDEP3538-5	+/-35.5	38	5
		"	WJDDEP3551-5	+/-35.5	51	5
		"	WJDDEP3565-5	+/-35.5	65	5
		"	WJDDEP3577-5	+/-35.5	77	5
		"	WJDDEP3590-5	+/-35.5	90	5
		"	WJDDEP35104-5	+/-35.5	104	5
		WALL TALL 35 WIDE	WTJDDEP35151-5	+/-35.5	up to155	5
		WALL TALL 63 WIDE	WTJDDEP63151-5	+/-63	up to155	5
		TALL 35 WIDE	TJDDEP35200-5	+/-35.5	200	5
		"	TJDDEP35213-5	+/-35.5	213	5
		"	TJDDEP35227-5	+/-35.5	227	5
		TALL 63 WIDE	TJDDEP63200-5	+/-63	200	5
		"	TJDDEP63213-5	+/-63	213	5
"	TJDDEP63227-5	+/-63	227	5		
**** NOT AVAILABLE for MITRED DOORS ****						
<p>10cm THICK "J" DOOR DESIGN END PANEL</p> <p>( LEFT SHOWN )</p> <p>**** NOT AVAILABLE for MITRED DOORS ****</p>	<p>10cm THICK "J" DOOR DESIGN END PANEL</p> <p>10cm THICK "J" DOOR DESIGN END PANEL w/ 15cm RETURN</p> <p>**** NOT AVAILABLE for MITRED DOORS ****</p> <p>FACTORY ASSEMBLED MITERS</p> <p>ALL EDGES ARE SQUARE</p> <p>FINISHED ON SIDE, FRONT FACE, 15cm RETURN and EXPOSED EDGES</p> <p>PLEASE SPECIFY L or R ON ORDERS</p> <p>W=PT+0.3+CD ; where                      CD=Carcase Depth and                      PT=PROFILE THICKNESS of adjacent Door Style</p>	PANEL TYPE	CODE	W (cm)	H (cm)	T (cm)
		BASE	BJDDEP6372-10	+/-63	72	10
		SUSPENDED BASE	SBJDDEP6343.2-10	+/-63	43.2	10
		VANITY	VJDDEP5565-10	+/-55.5	65	10
		SUSPENDED VANITY	SVJDDEP5543.2-10	+/-55.5	43.2	10
		DESK	DJDDEP5557.6-10	+/-55.5	57.6	10
		BASE WALL	BWJDDEP3572-10	+/-35.5	72	10
		VANITY WALL	VWJDDEP3565-10	+/-35.5	65	10
		WALL	WJDDEP3538-10	+/-35.5	38	10
		"	WJDDEP3551-10	+/-35.5	51	10
		"	WJDDEP3565-10	+/-35.5	65	10
		"	WJDDEP3577-10	+/-35.5	77	10
		"	WJDDEP3590-10	+/-35.5	90	10
		"	WJDDEP35104-10	+/-35.5	104	10
		WALL TALL 35 WIDE	WTJDDEP35151-10	+/-35.5	up to155	10
		WALL TALL 63 WIDE	WTJDDEP63151-10	+/-63	up to155	10
		TALL 35 WIDE	TJDDEP35200-10	+/-35.5	200	10
		"	TJDDEP35213-10	+/-35.5	213	10
		"	TJDDEP35227-10	+/-35.5	227	10
		TALL 63 WIDE	TJDDEP63200-10	+/-63	200	10
"	TJDDEP63213-10	+/-63	213	10		
"	TJDDEP63227-10	+/-63	227	10		
**** NOT AVAILABLE for MITRED DOORS ****						

5cm THICK "J" DOOR DESIGN w/ INTEGRATED KICK END PANELS  
 10cm THICK "J" DOOR DESIGN w/ INTEGRATED KICK END PANELS



ILLUSTRATION	DESCRIPTION	PANEL TYPE	CODE	W (cm)	H (cm)	T (cm)		
<p>5cm THICK "J" DOOR DESIGN w/ INTEGRATED KICK END PANEL</p>  <p>( LEFT SHOWN )</p> <p>**** NOT AVAILABLE for MITRED DOORS ****</p>	<p>5cm THICK "J" DOOR DESIGN w/ INTEGRATED KICK END PANEL</p> <p>5cm THICK "J" DOOR DESIGN w/ INTEGRATED KICK END PANEL AND 15cm RETURN.</p> <p>**** NOT AVAILABLE for MITRED DOORS ****</p> <p>FACTORY ASSEMBLED MITERS</p> <p>ALL EDGES ARE SQUARE</p> <p>FINISHED ON SIDE, FRONT FACE, 15cm RETURN and EXPOSED EDGES</p> <p>PLEASE SPECIFY L or R ON ORDERS</p> <p>W=PT+0.3+CD ; where                      CD=Carcase Depth and                      PT=PROFILE THICKNESS of adjacent Door Style</p>	<p>BASE to FLOOR</p> <p>VANITY to FLOOR</p> <p>DESK to FLOOR</p> <p>BASE WALL to FLOOR</p> <p>VANITY WALL to FLOOR</p> <p>TALL 35 WIDE</p> <p>"</p> <p>"</p> <p>TALL 63 WIDE</p> <p>"</p> <p>"</p>	<p>BJDDIKEP6387-5</p> <p>VJDDIKEP5580-5</p> <p>DJDDIKEP5572.6-5</p> <p>BWJDDIKEP3587-5</p> <p>VWJDDIKEP3580-5</p> <p>TJDDIKEP35215-5</p> <p>TJDDIKEP35228-5</p> <p>TJDDIKEP3542-5</p> <p>TJDDIKEP63215-5</p> <p>TJDDIKEP63228-5</p> <p>TJDDIKEP63242-5</p>	<p>+/-63</p> <p>+/-55.5</p> <p>+/-55.5</p> <p>+/-35.5</p> <p>+/-35.5</p> <p>+/-35.5</p> <p>+/-35.5</p> <p>+/-63</p> <p>+/-63</p> <p>+/-63</p>	<p>87</p> <p>80</p> <p>72.6</p> <p>87</p> <p>80</p> <p>215</p> <p>228</p> <p>242</p> <p>215</p> <p>228</p> <p>242</p>	<p>5</p> <p>5</p> <p>5</p> <p>5</p> <p>5</p> <p>5</p> <p>5</p> <p>5</p> <p>5</p> <p>5</p>		
		**** NOT AVAILABLE for MITRED DOORS ****						
		<p>10cm THICK "J" DOOR DESIGN w/ INTEGRATED KICK END PANEL</p>  <p>( LEFT SHOWN )</p> <p>**** NOT AVAILABLE for MITRED DOORS ****</p>	<p>10cm THICK "J" DOOR DESIGN w/ INTEGRATED KICK END PANEL</p> <p>10cm THICK "J" DOOR DESIGN w/ INTEGRATED KICK END PANEL AND 15cm RETURN.</p> <p>**** NOT AVAILABLE for MITRED DOORS ****</p> <p>FACTORY ASSEMBLED MITERS</p> <p>ALL EDGES ARE SQUARE</p> <p>FINISHED ON SIDE, FRONT FACE, 15cm RETURN and EXPOSED EDGES</p> <p>PLEASE SPECIFY L or R ON ORDERS</p> <p>W=PT+0.3+CD ; where                      CD=Carcase Depth and                      PT=PROFILE THICKNESS of adjacent Door Style</p>	<p>BASE to FLOOR</p> <p>VANITY to FLOOR</p> <p>DESK to FLOOR</p> <p>BASE WALL to FLOOR</p> <p>VANITY WALL to FLOOR</p> <p>TALL 35 WIDE</p> <p>"</p> <p>"</p> <p>TALL 63 WIDE</p> <p>"</p> <p>"</p>	<p>BJDDIKEP6387-10</p> <p>VJDDIKEP5580-10</p> <p>DJDDIKEP5572.6-10</p> <p>BWJDDIKEP3587-10</p> <p>VWJDDIKEP3580-10</p> <p>TJDDIKEP35215-10</p> <p>TJDDIKEP35228-10</p> <p>TJDDIKEP3542-10</p> <p>TJDDIKEP63215-10</p> <p>TJDDIKEP63228-10</p> <p>TJDDIKEP63242-10</p>	<p>+/-63</p> <p>+/-55.5</p> <p>+/-55.5</p> <p>+/-35.5</p> <p>+/-35.5</p> <p>+/-35.5</p> <p>+/-35.5</p> <p>+/-63</p> <p>+/-63</p> <p>+/-63</p>	<p>87</p> <p>80</p> <p>72.6</p> <p>87</p> <p>80</p> <p>215</p> <p>228</p> <p>242</p> <p>215</p> <p>228</p> <p>242</p>	<p>10</p> <p>10</p> <p>10</p> <p>10</p> <p>10</p> <p>10</p> <p>10</p> <p>10</p> <p>10</p> <p>10</p> <p>10</p>
				**** NOT AVAILABLE for MITRED DOORS ****				

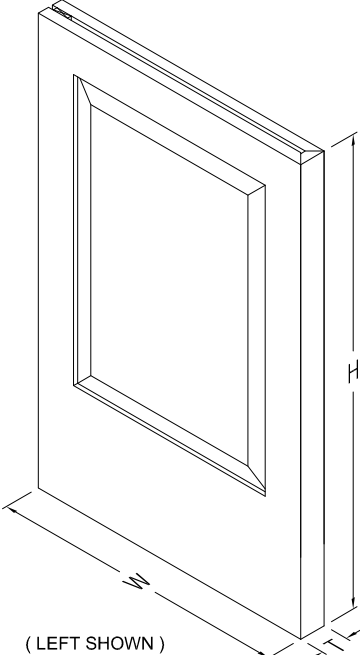
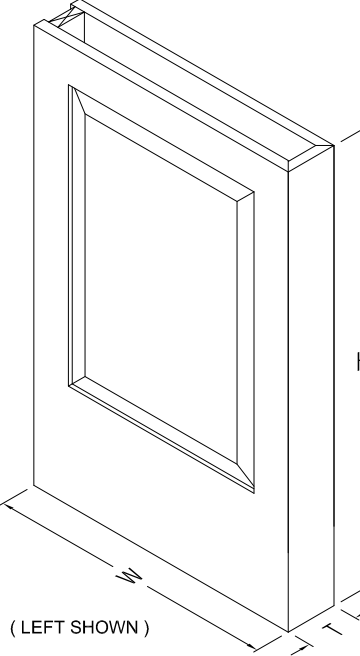
5cm THICK "U" DOOR DESIGN END PANELS  
 10cm THICK "U" DOOR DESIGN END PANELS



ILLUSTRATION	DESCRIPTION	PANEL TYPE	CODE	W (cm)	H (cm)	T (cm)
<p>5cm THICK "U" DOOR DESIGN END PANEL</p> <p>( LEFT SHOWN )</p> <p>**** NOT AVAILABLE for MITRED DOORS ****</p>	<p><u>5cm THICK "U" DOOR DESIGN END PANEL</u></p> <p>5cm THICK "U" DOOR DESIGN END PANEL w/ FULL RETURN.</p> <p>**** NOT AVAILABLE for MITRED DOORS ****</p> <p>FACTORY ASSEMBLED MITERS</p> <p>ALL EDGES ARE SQUARE</p> <p>FINISHED TWO SIDES, FRONT FACE and EXPOSED EDGES</p> <p>PLEASE SPECIFY L or R ON ORDERS</p> <p>W=PT+0.3+CD ; where                      CD=Carcase Depth and                      PT=PROFILE THICKNESS of adjacent Door Style</p>	BASE	BUDDEP6372-5	+/-63	72	5
		SUSPENDED BASE	SBUDDEP6343.2-5	+/-63	43.2	5
		VANITY	VUDEP5565-5	+/-55.5	65	5
		SUSPENDED VANITY	SVUDEP5543.2-5	+/-55.5	43.2	5
		DESK	DUDEP5557.6-5	+/-55.5	57.6	5
		BASE WALL	BWUDEP3572-5	+/-35.5	72	5
		VANITY WALL	VWUDEP3565-5	+/-35.5	65	5
		WALL	WUDEP3538-5	+/-35.5	38	5
		"	WUDEP3551-5	+/-35.5	51	5
		"	WUDEP3565-5	+/-35.5	65	5
		"	WUDEP3577-5	+/-35.5	77	5
		"	WUDEP3590-5	+/-35.5	90	5
		"	WUDEP35104-5	+/-35.5	104	5
		WALL TALL 35 WIDE	WTUDEP35151-5	+/-35.5	up to155	5
		WALL TALL 63 WIDE	WTUDEP63151-5	+/-63	up to155	5
		TALL 35 WIDE	TUDEP35200-5	+/-35.5	200	5
		"	TUDEP35213-5	+/-35.5	213	5
		"	TUDEP35227-5	+/-35.5	227	5
		TALL 63 WIDE	TUDEP63200-5	+/-63	200	5
		"	TUDEP63213-5	+/-63	213	5
"	TUDEP63227-5	+/-63	227	5		
**** NOT AVAILABLE for MITRED DOORS ****						
<p>10cm THICK "U" DOOR DESIGN END PANEL</p> <p>( LEFT SHOWN )</p> <p>**** NOT AVAILABLE for MITRED DOORS ****</p>	<p><u>10cm THICK "U" DOOR DESIGN END PANEL</u></p> <p>10cm THICK "U" DOOR DESIGN END PANEL w/ FULL RETURN.</p> <p>**** NOT AVAILABLE for MITRED DOORS ****</p> <p>FACTORY ASSEMBLED MITERS</p> <p>ALL EDGES ARE SQUARE</p> <p>FINISHED TWO SIDES, FRONT FACE and EXPOSED EDGES</p> <p>PLEASE SPECIFY L or R ON ORDERS</p> <p>W=PT+0.3+CD ; where                      CD=Carcase Depth and                      PT=PROFILE THICKNESS of adjacent Door Style</p>	PANEL TYPE	CODE	W (cm)	H (cm)	T (cm)
		BASE	BUDDEP6372-10	+/-63	72	10
		SUSPENDED BASE	SBUDDEP6343.2-10	+/-63	43.2	10
		VANITY	VUDEP5565-10	+/-55.5	65	10
		SUSPENDED VANITY	SVUDEP5543.2-10	+/-55.5	43.2	10
		DESK	DUDEP5557.6-10	+/-55.5	57.6	10
		BASE WALL	BWUDEP3572-10	+/-35.5	72	10
		VANITY WALL	VWUDEP3565-10	+/-35.5	65	10
		WALL	WUDEP3538-10	+/-35.5	38	10
		"	WUDEP3551-10	+/-35.5	51	10
		"	WUDEP3565-10	+/-35.5	65	10
		"	WUDEP3577-10	+/-35.5	77	10
		"	WUDEP3590-10	+/-35.5	90	10
		"	WUDEP35104-10	+/-35.5	104	10
		WALL TALL 35 WIDE	WTUDEP35151-10	+/-35.5	up to155	10
		WALL TALL 63 WIDE	WTUDEP63151-10	+/-63	up to155	10
		TALL 35 WIDE	TUDEP35200-10	+/-35.5	200	10
		"	TUDEP35213-10	+/-35.5	213	10
		"	TUDEP35227-10	+/-35.5	227	10
		TALL 63 WIDE	TUDEP63200-10	+/-63	200	10
"	TUDEP63213-10	+/-63	213	10		
"	TUDEP63227-10	+/-63	227	10		
**** NOT AVAILABLE for MITRED DOORS ****						

5cm THICK "U" DOOR DESIGN w/ INTEGRATED KICK END PANELS  
 10cm THICK "U" DOOR DESIGN w/ INTEGRATED KICK END PANELS



ILLUSTRATION	DESCRIPTION	PANEL TYPE	CODE	W (cm)	H (cm)	T (cm)		
<p>5cm THICK "U" DOOR DESIGN w/ INTEGRATED KICK END PANEL</p>  <p>( LEFT SHOWN )</p> <p>**** NOT AVAILABLE for MITRED DOORS ****</p>	<p>5cm THICK "U" DOOR DESIGN w/ INTEGRATED KICK END PANEL</p> <p>5cm THICK "U" DOOR DESIGN w/ INTEGRATED KICK END PANEL AND FULL RETURN.</p> <p>**** NOT AVAILABLE for MITRED DOORS ****</p> <p>FACTORY ASSEMBLED MITERS</p> <p>ALL EDGES ARE SQUARE</p> <p>FINISHED TWO SIDES, FRONT FACE and EXPOSED EDGES</p> <p>PLEASE SPECIFY L or R ON ORDERS</p> <p>W=PT+0.3+CD ; where                      CD=Carcase Depth and                      PT=PROFILE THICKNESS of adjacent Door Style</p>	BASE to FLOOR	BUDDIKEP6387-5	+/-63	87	5		
		VANITY to FLOOR	VUDDIKEP5580-5	+/-55.5	80	5		
		DESK to FLOOR	DUDDIKEP5572.6-5	+/-55.5	72.6	5		
		BASE WALL to FLOOR	BWUDDIKEP3587-5	+/-35.5	87	5		
		VANITY WALL to FLOOR	VWUDDIKEP3580-5	+/-35.5	80	5		
		TALL 35 WIDE	TUDDIKEP35215-5	+/-35.5	215	5		
		"	TUDDIKEP35228-5	+/-35.5	228	5		
		"	TUDDIKEP3542-5	+/-35.5	242	5		
		TALL 63 WIDE	TUDDIKEP63215-5	+/-63	215	5		
		"	TUDDIKEP63228-5	+/-63	228	5		
		"	TUDDIKEP63242-5	+/-63	242	5		
		<p>**** NOT AVAILABLE for MITRED DOORS ****</p>	<p>10cm THICK "U" DOOR DESIGN w/ INTEGRATED KICK END PANEL</p> <p>10cm THICK "U" DOOR DESIGN w/ INTEGRATED KICK END PANEL AND FULL RETURN.</p> <p>**** NOT AVAILABLE for MITRED DOORS ****</p> <p>FACTORY ASSEMBLED MITERS</p> <p>ALL EDGES ARE SQUARE</p> <p>FINISHED TWO SIDES, FRONT FACE and EXPOSED EDGES</p> <p>PLEASE SPECIFY L or R ON ORDERS</p> <p>W=PT+0.3+CD ; where                      CD=Carcase Depth and                      PT=PROFILE THICKNESS of adjacent Door Style</p>	PANEL TYPE	CODE	W (cm)	H (cm)	T (cm)
				BASE to FLOOR	BUDDIKEP6387-10	+/-63	87	10
VANITY to FLOOR	VUDDIKEP5580-10			+/-55.5	80	10		
DESK to FLOOR	DUDDIKEP5572.6-10			+/-55.5	72.6	10		
BASE WALL to FLOOR	BWUDDIKEP3587-10			+/-35.5	87	10		
VANITY WALL to FLOOR	VWUDDIKEP3580-10			+/-35.5	80	10		
TALL 35 WIDE	TUDDIKEP35215-10			+/-35.5	215	10		
"	TUDDIKEP35228-10			+/-35.5	228	10		
"	TUDDIKEP3542-10			+/-35.5	242	10		
TALL 63 WIDE	TUDDIKEP63215-10			+/-63	215	10		
"	TUDDIKEP63228-10			+/-63	228	10		
"	TUDDIKEP63242-10			+/-63	242	10		
<p>**** NOT AVAILABLE for MITRED DOORS ****</p>	<p>10cm THICK "U" DOOR DESIGN w/ INTEGRATED KICK END PANEL</p>  <p>( LEFT SHOWN )</p> <p>**** NOT AVAILABLE for MITRED DOORS ****</p>							

5cm THICK "C" DOOR DESIGN PENINSULA END PANELS  
 10cm THICK "C" DOOR DESIGN PENINSULA END PANELS



ILLUSTRATION

DESCRIPTION

5cm THICK "C" DOOR DESIGN PENINSULA END PANEL

(LEFT SHOWN)

\*\*\*\* NOT AVAILABLE for MITRED DOORS \*\*\*\*

5cm THICK "C" DOOR DESIGN PENINSULA END PANEL

5cm THICK "C" DOOR DESIGN PENINSULA END PANEL w/ 15cm RETURNS.

\*\*\*\* NOT AVAILABLE for MITRED DOORS \*\*\*\*

FACTORY ASSEMBLED MITERS

ALL EDGES ARE SQUARE

FINISHED ON SIDE, FRONT FACE, BACK FACE, 15cm RETURNS and EXPOSED EDGES

PLEASE SPECIFY L or R ON ORDERS

PANEL TYPE	CODE	W (cm)	H (cm)	T (cm)
BASE	BCDDPE6572-5	+/-65.5	72	5
SB (Suspended Base)	SBCDDPE6543.2-5	+/-65.5	43.2	5
BASE + BASE WALL	BWCDDPE9872-5	+/-98.5	72	5
SB + SB	BBCDDPE12643.2-5	+/-126	43.2	5
BASE + BASE	BBCDDPE12672-5	+/-126	72	5
WALL	WCDDPE3838-5	+/-38	38	5
WALL	WCDDPE3851-5	+/-38	51	5
WALL	WCDDPE3865-5	+/-38	65	5
WALL	WCDDPE3877-5	+/-38	77	5
WALL	WCDDPE3890-5	+/-38	90	5
WALL	WCDDPE38104-5	+/-38	104	5

W=(PTF+B+CD)+(PTB+B); where

CD=Carcase Depth (or Combined Carcase Depth)  
 PTF=Profile Thickness of Front Door  
 PPB=Profile Thickness of Back Door or Panel  
 B=Bumper (0.3 for Bumper if used)

\*\*\*\* NOT AVAILABLE for MITRED DOORS \*\*\*\*

10cm THICK "C" DOOR DESIGN PENINSULA END PANEL

(LEFT SHOWN)

\*\*\*\* NOT AVAILABLE for MITRED DOORS \*\*\*\*

10cm THICK "C" DOOR DESIGN PENINSULA END PANEL

10cm THICK "C" DOOR DESIGN PENINSULA END PANEL w/ 15cm RETURNS.

\*\*\*\* NOT AVAILABLE for MITRED DOORS \*\*\*\*

FACTORY ASSEMBLED MITERS

ALL EDGES ARE SQUARE

FINISHED ON SIDE, FRONT FACE, BACK FACE, 15cm RETURNS and EXPOSED EDGES

PLEASE SPECIFY L or R ON ORDERS

PANEL TYPE	CODE	W (cm)	H (cm)	T (cm)
BASE	BCDDPE6572-10	+/-65.5	72	10
SB (Suspended Base)	SBCDDPE6543.2-10	+/-65.5	43.2	10
BASE + BASE WALL	BWCDDPE9872-10	+/-98.5	72	10
SB + SB	BBCDDPE12643.2-10	+/-126	43.2	10
BASE + BASE	BBCDDPE12672-10	+/-126	72	10
WALL	WCDDPE3838-10	+/-38	38	10
WALL	WCDDPE3851-10	+/-38	51	10
WALL	WCDDPE3865-10	+/-38	65	10
WALL	WCDDPE3877-10	+/-38	77	10
WALL	WCDDPE3890-10	+/-38	90	10
WALL	WCDDPE38104-10	+/-38	104	10

W=(PTF+B+CD)+(PTB+B); where

CD=Carcase Depth (or Combined Carcase Depth)  
 PTF=Profile Thickness of Front Door  
 PPB=Profile Thickness of Back Door or Panel  
 B=Bumper (0.3 for Bumper if used)

\*\*\*\* NOT AVAILABLE for MITRED DOORS \*\*\*\*

ILLUSTRATION

DESCRIPTION

5cm THICK "U" DOOR DESIGN w/ INTEGRATED KICK PENINSULA END PANEL

(LEFT SHOWN)

\*\*\*\* NOT AVAILABLE for MITRED DOORS \*\*\*\*

5cm THICK "U" DOOR DESIGN w/ INTEGRATED KICK PENINSULA END PANEL

5cm THICK "U" DOOR DESIGN w/ INTEGRATED KICK PENINSULA END PANEL AND 15cm RETURNS.

\*\*\*\* NOT AVAILABLE for MITRED DOORS \*\*\*\*

FACTORY ASSEMBLED MITERS

ALL EDGES ARE SQUARE

FINISHED ON SIDE, FRONT FACE, BACK FACE, 15cm RETURNS and EXPOSED EDGES

PLEASE SPECIFY L or R ON ORDERS

PANEL TYPE	CODE	W (cm)	H (cm)	T (cm)
BASE to FLOOR	BCDDIKPE6587-5	+/-65,5	87	5
BASE + BW (to Floor)	BWCDDIKPE9887-5	+/-98,5	87	5
BASE + BASE (to Floor)	BBCDDIKPE12687-5	+/-126	87	5

$W=(PTF+B+CD)+(PTB+B)$ ; where

CD=Carcase Depth (or Combined Carcase Depth)  
 PTF=Profile Thickness of Front Door  
 PPB=Profile Thickness of Back Door or Panel  
 B=Bumper (0.3 for Bumper if used)

\*\*\*\* NOT AVAILABLE for MITRED DOORS \*\*\*\*

10cm THICK "U" DOOR DESIGN w/ INTEGRATED KICK PENINSULA END PANEL

(LEFT SHOWN)

\*\*\*\* NOT AVAILABLE for MITRED DOORS \*\*\*\*

10cm THICK "U" DOOR DESIGN w/ INTEGRATED KICK PENINSULA END PANEL

10cm THICK "U" DOOR DESIGN w/ INTEGRATED KICK PENINSULA END PANEL AND 15cm RETURNS.

\*\*\*\* NOT AVAILABLE for MITRED DOORS \*\*\*\*

FACTORY ASSEMBLED MITERS

ALL EDGES ARE SQUARE

FINISHED ON SIDE, FRONT FACE, BACK FACE, 15cm RETURNS and EXPOSED EDGES

PLEASE SPECIFY L or R ON ORDERS

PANEL TYPE	CODE	W (cm)	H (cm)	T (cm)
BASE to FLOOR	BCDDIKPE6587-10	+/-65,5	87	10
BASE + BW (to Floor)	BWCDDIKPE9887-10	+/-98,5	87	10
BASE + BASE (to Floor)	BBCDDIKPE12687-10	+/-126	87	10

$W=(PTF+B+CD)+(PTB+B)$ ; where

CD=Carcase Depth (or Combined Carcase Depth)  
 PTF=Profile Thickness of Front Door  
 PPB=Profile Thickness of Back Door or Panel  
 B=Bumper (0.3 for Bumper if used)

\*\*\*\* NOT AVAILABLE for MITRED DOORS \*\*\*\*