

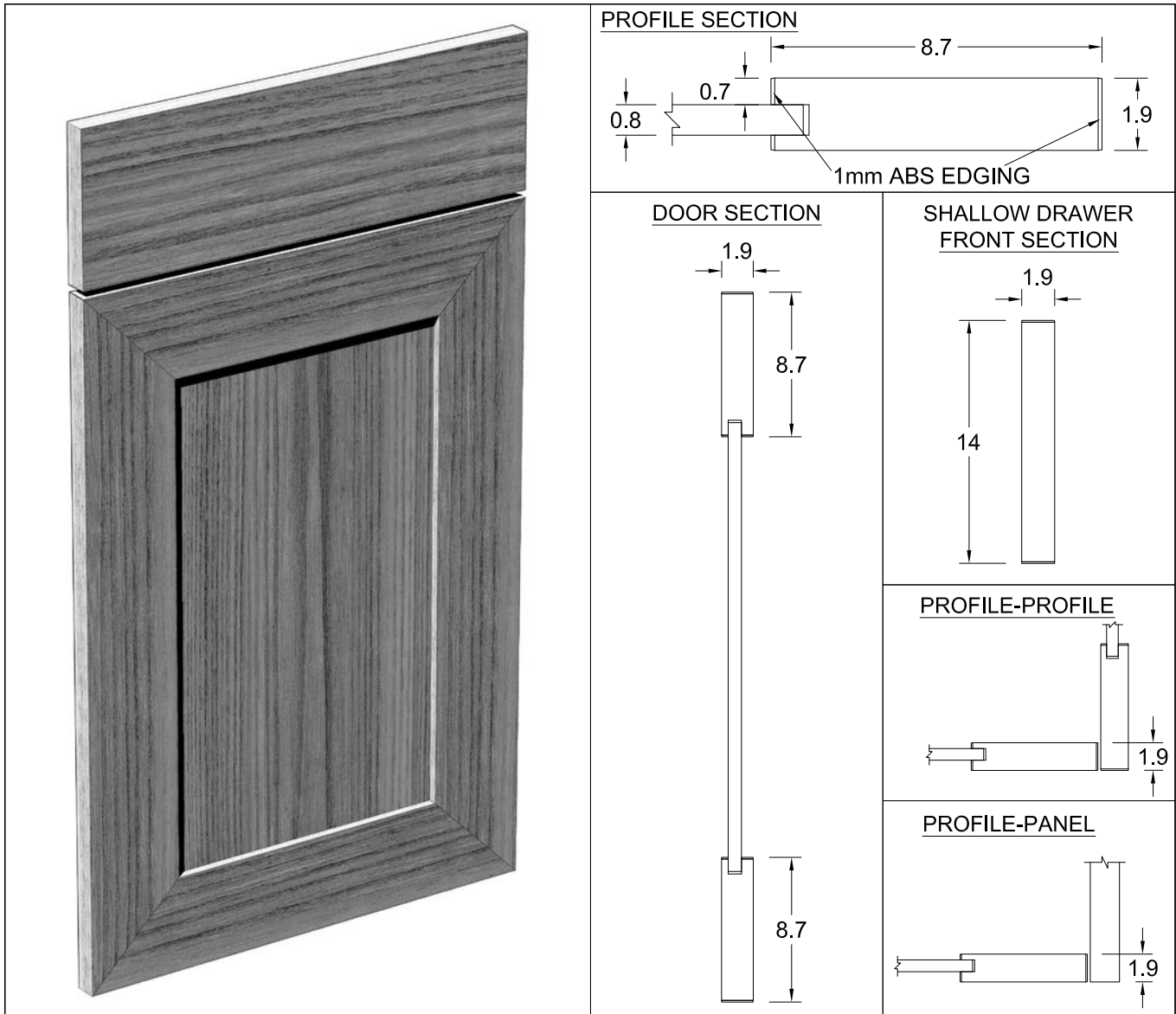
URBAN II - DOOR STYLES



TABLE OF CONTENTS

DOOR STYLE	SPECIES	FINISH	PAGE
CATALINA	LPL	MATTE-NF	I.02
CORTLAND	LPL	MATTE-NF	I.03
KINGSTON	LPL	MATTE-NF	I.04
MODESTO	LPL	MATTE-NF	I.05
NOVARA	LPL	MATTE-NF	I.06
AVAILABILITY TABLES	SPECIES	FINISH	PAGE
TABLE U1	LPL FOR DOORS w/ 8mm THICK CENTER PANELS	MATTE-NF	I.07
TABLE U2	LPL (w/ HORIZONTAL GRAIN STILES)	MATTE-NF	I.08

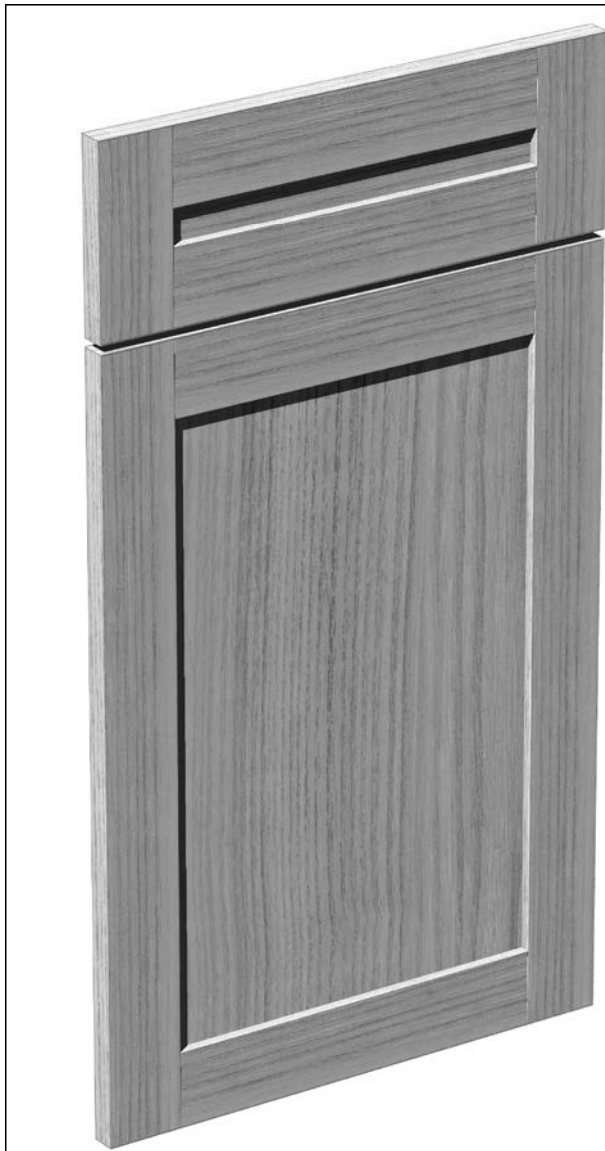
SEE "TABLE U1" FOR COLOUR & FINISH AVAILABILITY.



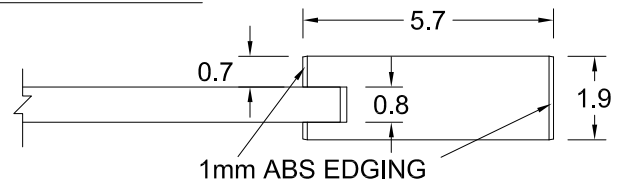
CONSTRUCTION:

5 PIECE MITERED CONSTRUCTION - DOUBLE SIDED LPL (THERMOFUSED MELAMINE) RAILS AND STILES.
 DOOR HAS AN 8mm THICK DOUBLE SIDED VERTICAL GRAIN LPL (THERMOFUSED MELAMINE) CENTER PANEL.
 MATCHING 1mm ABS EDGING ON ALL EXPOSED EDGES.

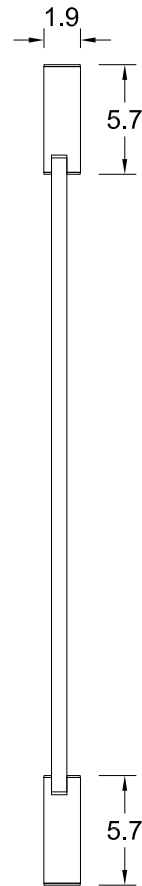
SEE "TABLE U1" FOR COLOUR & FINISH AVAILABILITY.



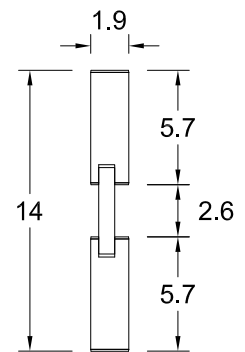
PROFILE SECTION



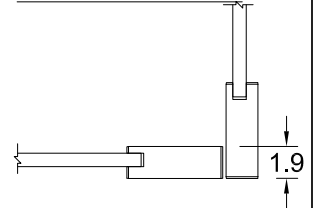
DOOR SECTION



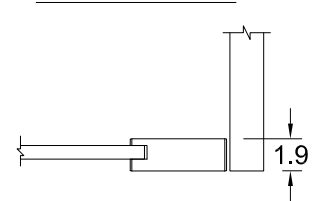
SHALLOW DRAWER FRONT SECTION



PROFILE-PROFILE



PROFILE-PANEL



CONSTRUCTION:

5 PIECE CONSTRUCTION
DOUBLE SIDED LPL RAILS AND STILES.

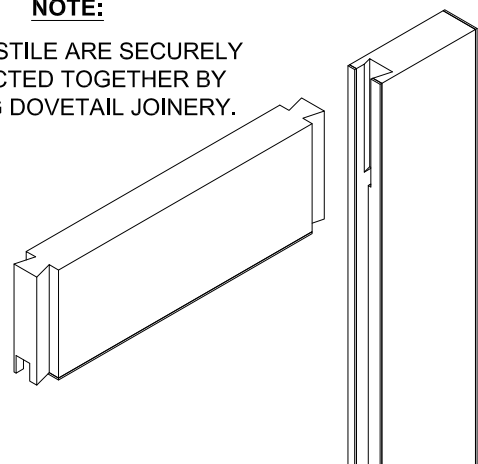
DOOR HAS AN 8mm THICK DOUBLE SIDED
VERTICAL GRAIN LPL PANEL.

MATCHING 1mm ABS EDGING ON ALL EXPOSED EDGES.

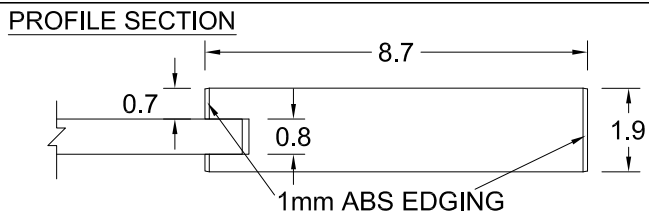
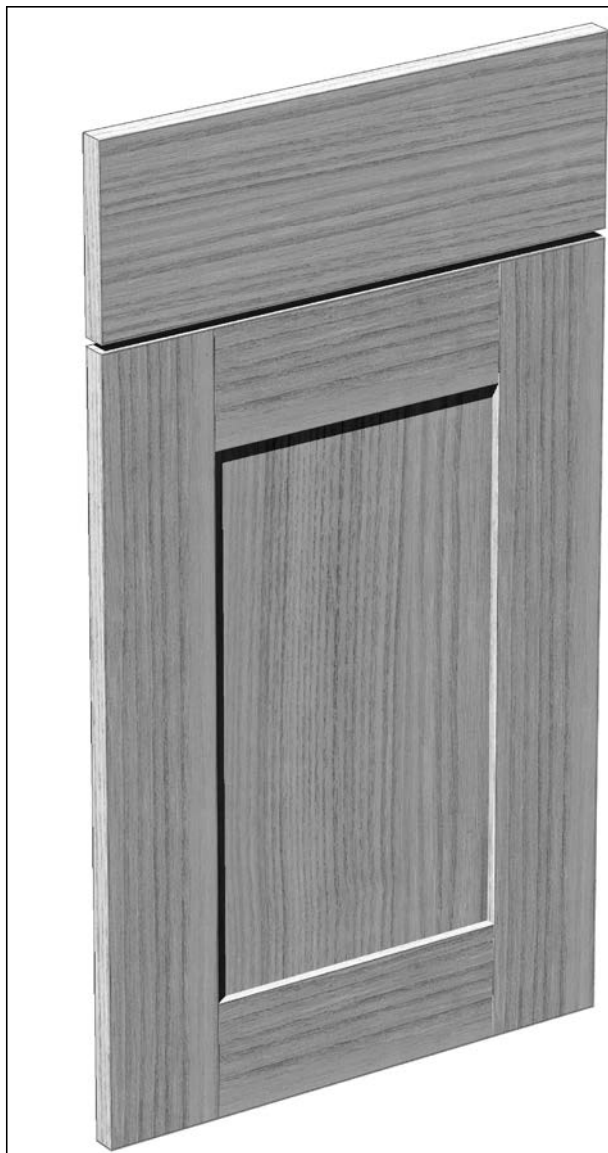
PRECAUTIONS: NOTE ONLY 2.6cm
VERTICAL HANDLE SPACE FOR
14cm HIGH DRAWER FRONTS.

NOTE:

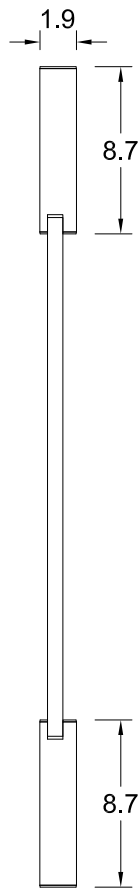
RAIL and STILE ARE SECURELY
CONNECTED TOGETHER BY
LOCKING DOVETAIL JOINERY.



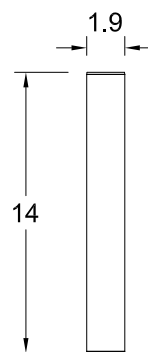
SEE "TABLE U1" FOR COLOUR & FINISH AVAILABILITY.



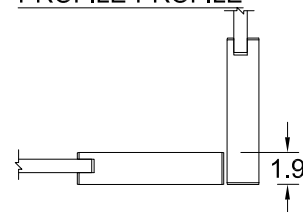
DOOR SECTION



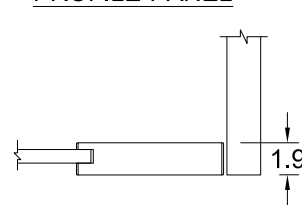
SHALLOW DRAWER FRONT SECTION



PROFILE-PROFILE



PROFILE-PANEL

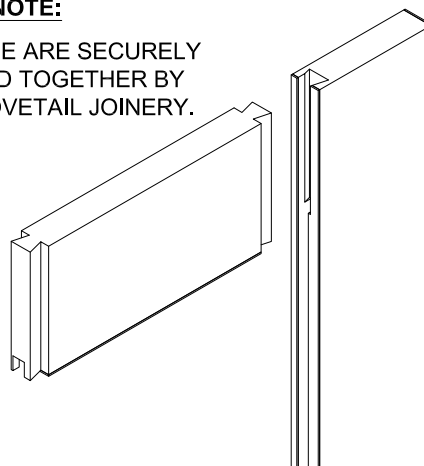


CONSTRUCTION:

5 PIECE CONSTRUCTION
 DOUBLE SIDED LPL RAILS AND STILES.
 DOOR HAS AN 8mm THICK DOUBLE SIDED
 VERTICAL GRAIN LPL PANEL.
 MATCHING 1mm ABS EDGING ON ALL EXPOSED EDGES.

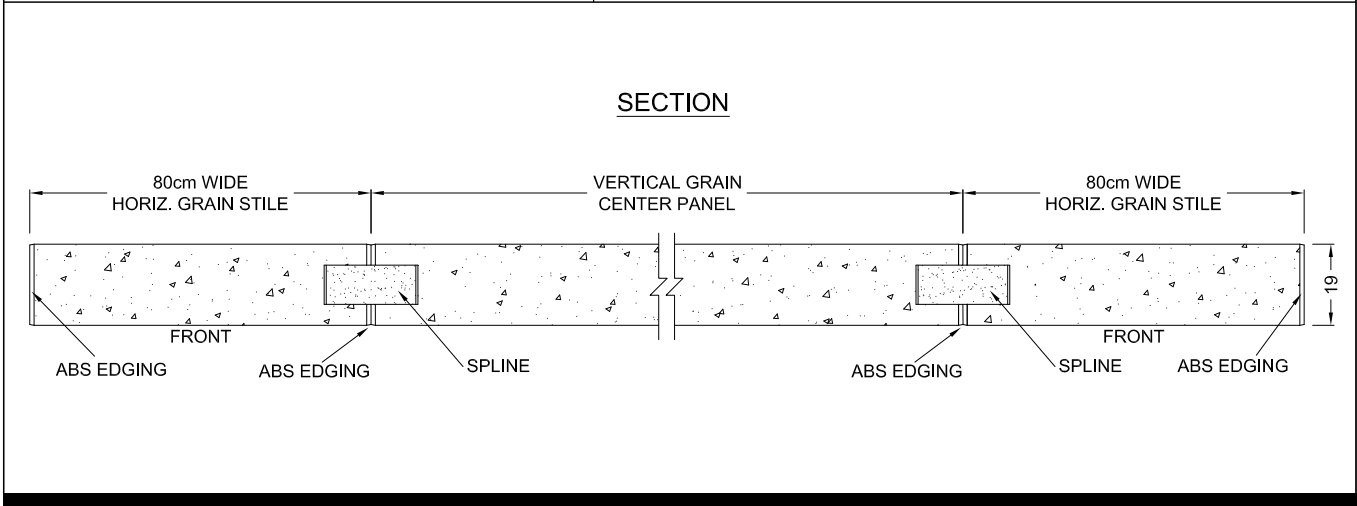
NOTE:

RAIL and STILE ARE SECURELY
 CONNECTED TOGETHER BY
 LOCKING DOVETAIL JOINERY.

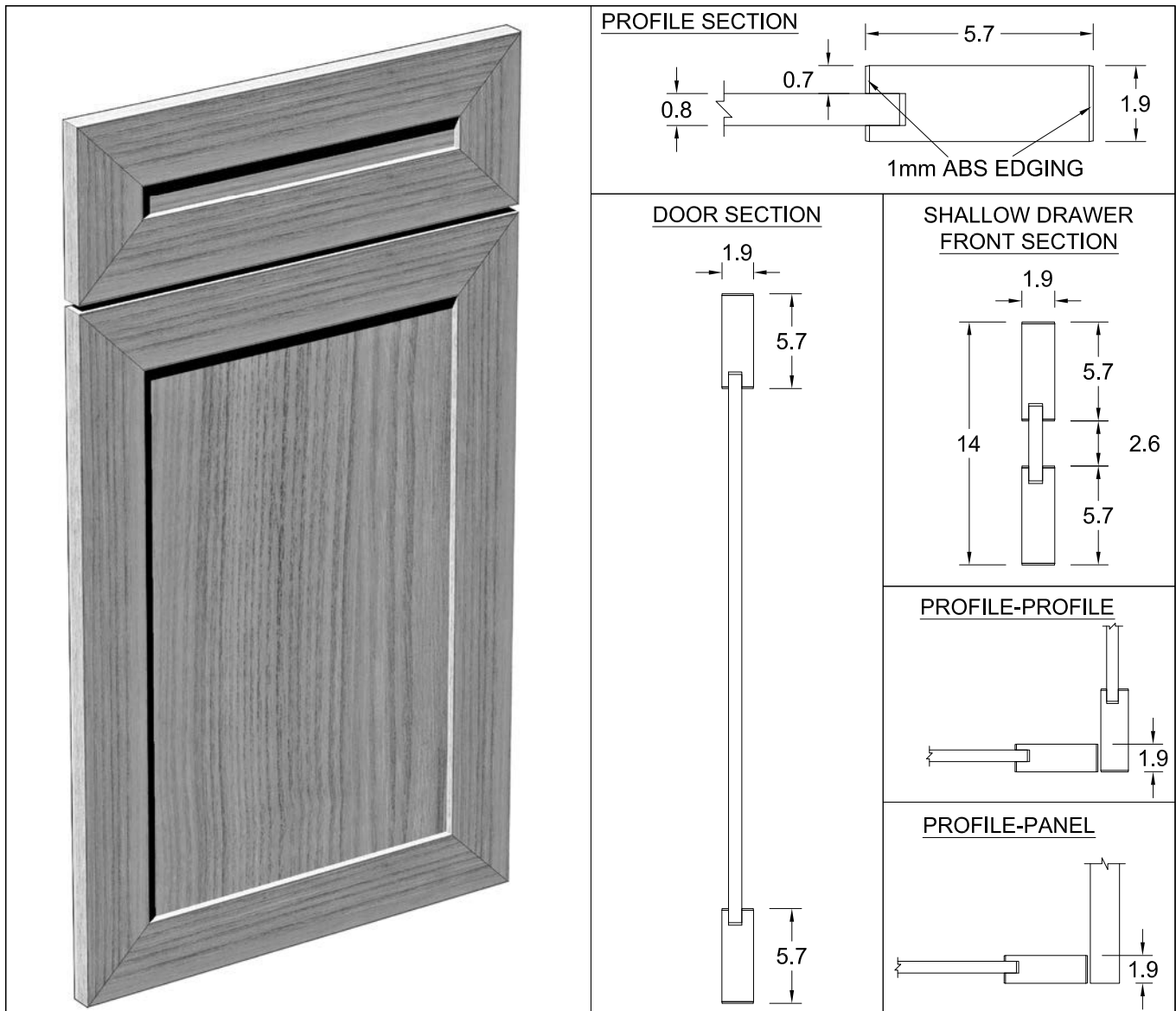


SEE "TABLE U2" FOR COLOUR, FINISH and MAXIMUM DOOR HEIGHT AVAILABILITY.

	<p>CONSTRUCTION:</p> <p>3 PIECE CONSTRUCTION DOUBLE SIDED LPL</p> <p>HORIZONTAL GRAIN STILES</p> <p>VERTICAL GRAIN CENTER PANEL</p> <p>MATCHING 1mm ABS EDGING ON ALL EXPOSED EDGES.</p>	<p>PROFILE-PROFILE</p>
		<p>PROFILE-PANEL</p>
<p>3D - SECTION</p> <p>NOTE: SINCE THE STILES ARE HORIZONTAL GRAIN THE MAXIMUM DOOR HEIGHT IS LIMITED TO THE WIDTH OF THE LPL SHEET SIZE FOR THE COLOUR SELECTED. SEE "TABLE U2" FOR THE MAXIMUM DOOR HEIGHT PER COLOUR SELECTION. I.E. 60 inch (152.4cm) WIDE SHEET WILL YIELD A MAXIMUM 152.4cm HIGH DOOR.</p>		



SEE "TABLE U1" FOR COLOUR & FINISH AVAILABILITY.



CONSTRUCTION:

5 PIECE MITERED CONSTRUCTION - DOUBLE SIDED LPL (THERMOFUSED MELAMINE) RAILS AND STILES.

DOOR AND DRAWER HAVE AN 8mm THICK DOUBLE SIDED LPL (THERMOFUSED MELAMINE) PANEL.

MATCHING 1mm ABS EDGING ON ALL EXPOSED EDGES.

PRECAUTIONS: NOTE ONLY 2.6cm VERTICAL HANDLE SPACE FOR 14cm HIGH DRAWER FRONTS.

